

TANK MOUNTED PUMP & METER KIT



Applies to the following models **ONLY**:

SPS.KTM

SPS.KT

Please read carefully **BEFORE** commencing installation.

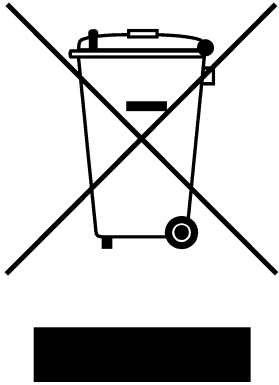
Registered Office: HYTEK (GB) LIMITED,
Delta House, Green Street, Elsenham, Bishop's Stortford,
CM22 6DS UK.

Registered in England No. 1915382

Tel: +44 (0) 1279 815 600

Email: info@hytekgb.com

ENVIRONMENTAL INFORMATION



UK Regulation SI 2013 3113 requires that the equipment bearing this symbol on the product and/or its packaging must not be disposed of with unsorted municipal waste. The symbol indicates that this product must be disposed of separately from regular household waste streams. It is your responsibility to dispose of this and other electric and electronic equipment via designated collection facilities appointed by the government or local authorities.

PRODUCT DESCRIPTION

Direct drive, self priming, vane pump unit designed for pumping diesel or biodiesel up to B30. (B100 on SPT60A.B version) The pump has 1" BSPT flanged inlet/outlet ports and is rated at IP55 for outdoor use.

IMPORTANT WARNING NOTES

1. This pump **MUST NOT** be used to dispense petrol or other flammable liquids with a flash point below 55°C.
2. It must not be sited adjacent to a petrol dispenser or any other hazardous zone.
3. On above ground storage tanks, a spring-loaded angle check valve or pressure regulating valve must be fitted at the tank outlet to prevent loss of fuel under gravity in the event of vandalism or accidental damage.
4. Installation of this equipment and its associated tank, pipe work and fittings should only be carried out by qualified fuel installation engineers.
5. The installation must conform to all relevant electrical and local authority regulations and standards.

INSTALLATION

1. The pump unit may have had its mounting feet removed for packaging purposes. If so, mount the feet onto the bottom of the pump unit using the nuts and bolts supplied.
2. If no wall-mounting bracket is supplied, mount on a horizontal surface using the holes provided in the pump feet or use a tank/barrel mount adaptor if provided.
3. Connect the pipe from the tank to the suction inlet of the pump. The inlet thread is 1" BSP female. If the pump is more than 2m from the tank the pipe should be 1½ diameter reducing to the appropriate size just before the pump inlet. Seal the threads with a suitable thread-sealing compound.
4. Connect a suitable "soft wall" hose to the pump outlet. In turn, fit a suitable trigger or automatic nozzle onto the hose. Seal both with a suitable thread-sealing compound.
5. Connect the flying lead to a suitable power supply, fused at 10 amps for 230v AC.

230v AC: Brown – Live
 Blue – Neutral
 Yellow/Green – Earth

6. To prime the pump, first ensure there is fuel in the tank and the end of the suction hose is fully immersed. Turn the pump on and allow 60 seconds for the pump to prime. If the pump fails to prime then turn the pump off, remove the automatic nozzle (if fitted) from the end of the delivery hose and retry.

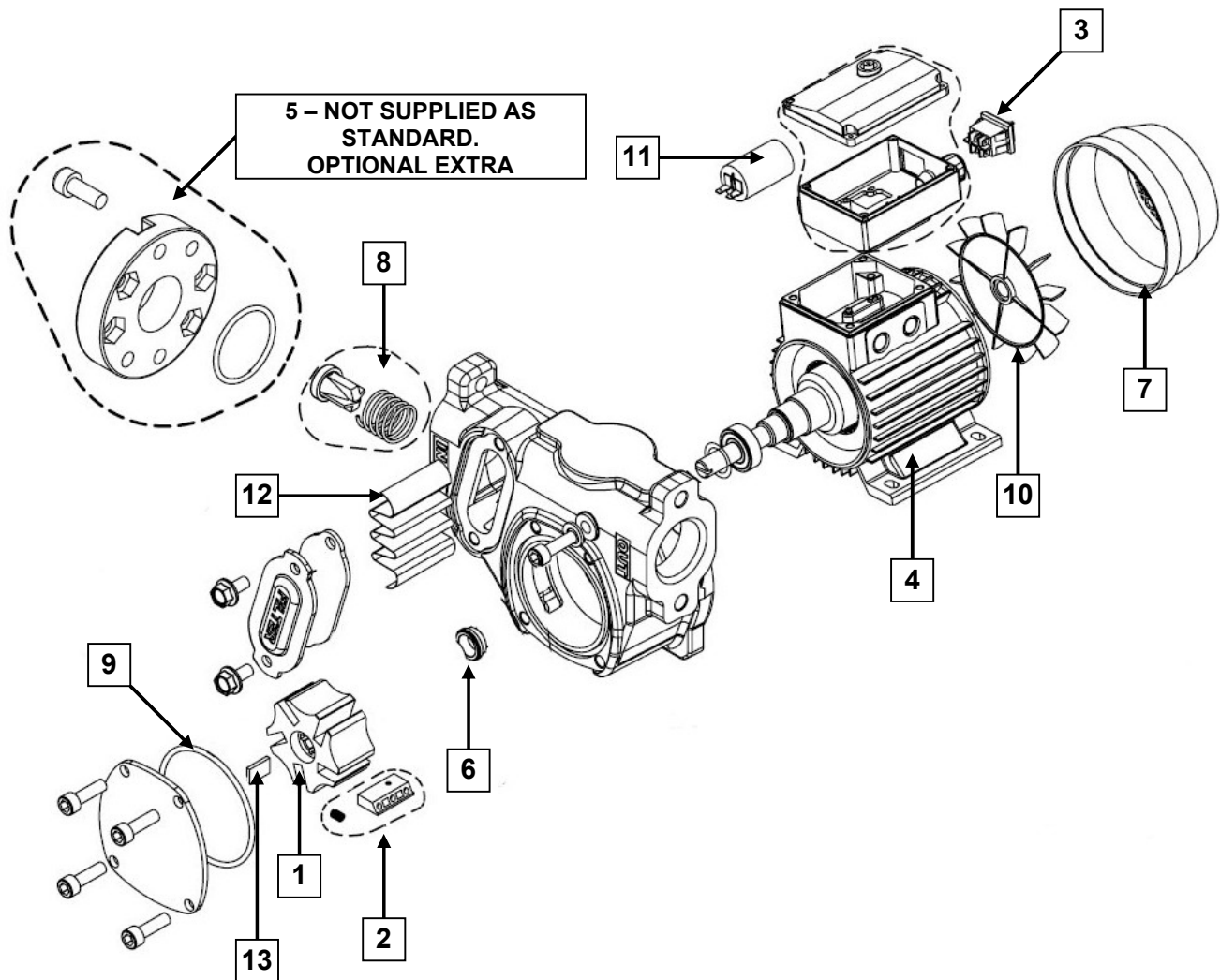
INSTRUCTIONS FOR USE

1. Switch on pump.
2. Place nozzle spout in the fuel tank.
3. Squeeze nozzle trigger to dispense fuel.
4. On completion of delivery, release nozzle trigger and remove nozzle from fuel tank.

OPERATION WARNING - FAILURE TO OBSERVE THE WARNINGS BELOW MAY LEAD TO THE PUMP UNIT BEING DAMAGED:

1. Please ensure that the delivery hose is stowed correctly after each use to prevent it being run over by a vehicle.
2. Do not run the pump dry.
3. Do not run the pump for prolonged periods on bypass. (Nozzle closed).
Maximum running time on bypass = 2 minutes.
4. Do not use this product if it is leaking or damaged.
5. Do not use this product for longer than the recommended duty cycle of 30 minutes.
6. Do not use this product if it becomes hot to the touch.
7. Do not use this product with liquids with a flash point under 55°C.
8. Do not use this product in an enclosed environment or without adequate ventilation.

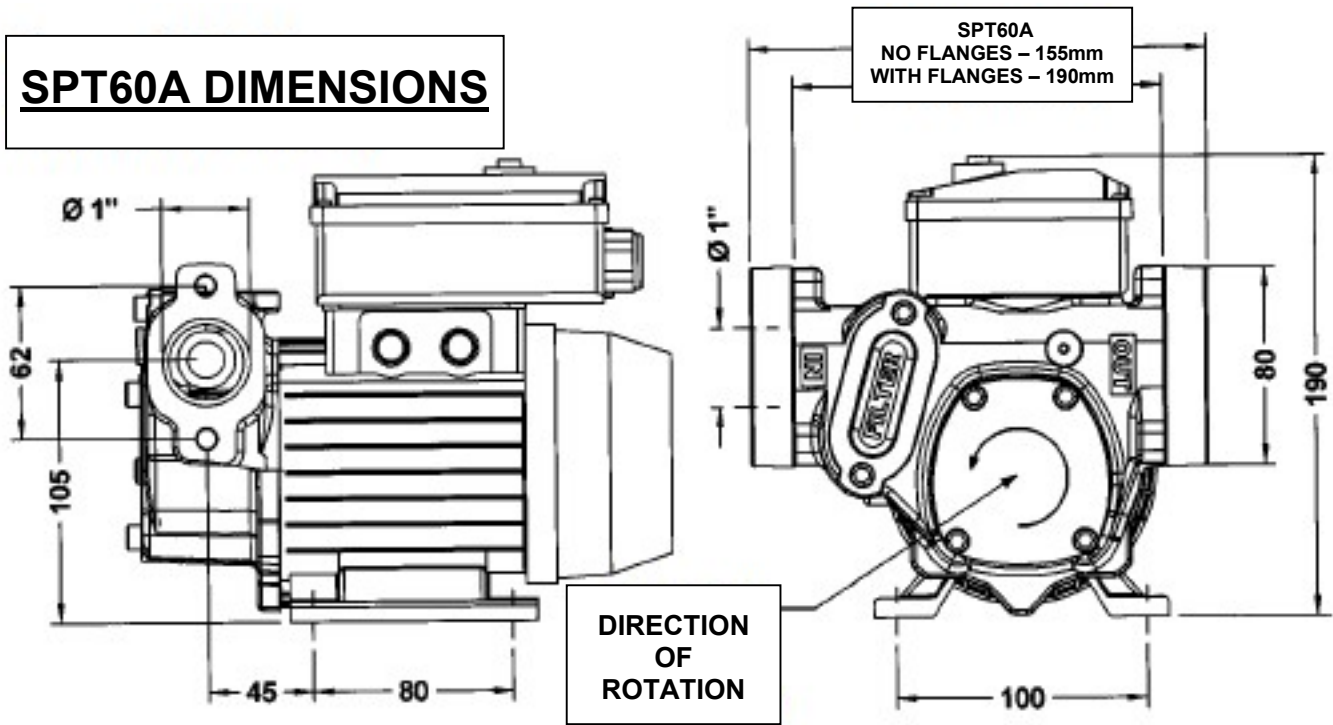
EXPLODED DIAGRAM AND PARTS LIST



ITEM	PART DESCRIPTION	PART NUMBER
1	Rotor	SPT60A.1
2	Vanes (5 per rotor)	SPT60A.2
3	On/Off Switch	SPT60A.3
4	Foot casting (2 per pump)	SPT60A.4
5	Flange Kit (2x Flanges with O-rings)	SPT60A.5
6	Shaft Seal	SPT60A.6
7	Fan Cover	SPT60A.7
8	Bypass Assembly	SPT60A.8
9	Pump Housing O-ring	SPT60A.9
10	Fan/Impellor	SPT60A.10
11	Capacitor	SPT60A.11
12	Gauze filter	SPT60A.12
13	Shaft Key	SPT60A.13

TECH DATA

SPT60A DIMENSIONS



DECLARATION OF CONFORMITY



Company Name: Hytek (GB) Ltd

Address: Delta House
Green Street
Elsenham
Bishop's Stortford
Hertfordshire
CM22 6DS

Date of Issue: 25th October 2022

Equipment Details: SPT60A Pump Unit & Motor

Applicable Directives:
& Standards

- SI 2016 1091 Electromagnetic Compatibility Regulations
- SI 2016 1101 Electrical Equipment Safety Regulations
- SI 2008 1597 Supply of Machinery Safety Regulations
- SI 2016 1105 Pressure Equipment Safety Regulations
- SI 2013 3113 Waste Electrical & Electronic Equipment Regulations
- SI 2012 3032 Restriction of Use of Certain Hazardous Substances Regulations

Certificate Numbers:
and Details

RoHS test report number NB2010060608
By Product Technology Service (Ningbo)
6&7F, 59, Huayu Road, Yinzhou District
Ningbo 315192 P.R. China

Certificate Numbers:
and Details

EMC test report number:
SZEE090616404102-1
By Centre Testing International Corporation
Building C, Hongwei Industrial Zone,
Baoan 70 District, Shenzhen, Guangdong,
China

Declaration Number: UK075 Issue 4

On behalf of the above-named company, I declare under our sole responsibility that, on the date the equipment accompanied by this declaration is placed on the market, the equipment conforms with all technical and regulatory requirements of the above listed directives.

A handwritten signature in cursive script that reads "Clive Wellings".

Clive Wellings, Process Co-ordinator
25th October 2022,
Bishop's Stortford, Herts

THE INFORMATION CONTAINED IN THIS DOCUMENT IS PROTECTED BY COPYRIGHT © AND PROPERTY LAWS AND IS THE SOLE PROPERTY OF HYTEK (GB) LTD. ANY REPRODUCTION IN PART OR AS A WHOLE WITHOUT THE WRITTEN PERMISSION OF HYTEK (GB) LTD IS PROHIBITED.
WRITTEN PERMISSION OF HYTEK (GB) LTD IS PROHIBITED