

HUSKY BREAKAWAY VALVES

FOR STANDARD FUELING APPLICATION

Husky Model 3360 Reconnectable Safe-T-Break®

- U.L. Listed to Std. 567, Seventh Edition
- All Husky Safe-T-Breaks® stop the flow of fuel on both sides of the separation.
- Unit features unusual interface between a pre-loaded spring and a single turn wave spring that enables valve to resist sudden pressure build-up in hose and resultant nuisance separations.
- Unit separates at less than 200 lbs. pull force, which minimizes “backlash” force of separation, reducing damage to equipment.
- Model 3360 is reconnectable and retains U.L. listing after reconnecting.
- The 3360 Reconnectable Safe-T-Break® passed demanding U.L. test requirements on separations without unit leaking or failing.

Husky Model 2273 Safe-T-Break®

- All Husky Safe-T-Breaks® stop the flow of fuel on both sides of the separation.
- Unit is lightweight, inexpensive and disposable.
- Features same instant-closing dual poppet check valve design as the Model 3360.
- Maximum separation 250 lbs. pull force.

SPECIFYING INFORMATION

Model Number	Description	Length In. (cm.)	Weight Lbs. (kg.)
3360	3/4" F X 3/4" F NPT Reconnectable Safe-T-Break®	4.62 (11.7)	.53 (.24)
2273	3/4" F X 3/4" F NPT Safe-T-Break®	3.43 (8.7)	.69(.31)

CONSTRUCTION

Model 3360


Body	Aluminum
Seals	Viton® (Fluorocarbon)
Springs	Stainless Steel
Threads	3/4" NPT, BSP
Stainless steel load and latch spring reverse mechanism.	
Hardened stainless steel latch ring and balls.	

Model 2273

Body	Zinc alloys to prevent galvanic corrosion
Threads	3/4" NPT, BSP

PATENTS AND LISTINGS

Patent Nos. 4,827,977 4,667,883 4,828,183

Listings 

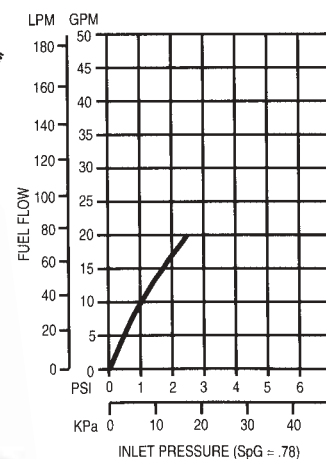
Viton® is a registered trademark of DuPont Dow Elastomers.



Model 3360



Model 2273



HUSKY BREAKAWAY VALVES

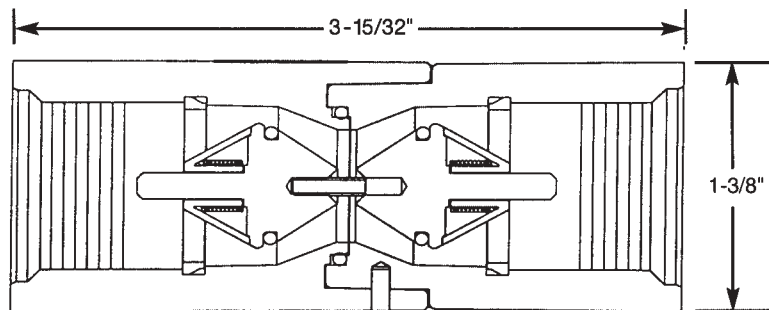
FOR STANDARD FUELING APPLICATION

- ACCESSORIES
- FEATURES
- DIMENSIONS

ACCESSORIES

Model No.	Use with Valve No.	Description
2274	3360, 2273	3/4"M x 3/4"M Hose
2275	3360, 2273	3/4"M x 3/4"M Swivel Hose
3096	3360	Scuff Guard

Model 2273



Model 3360

