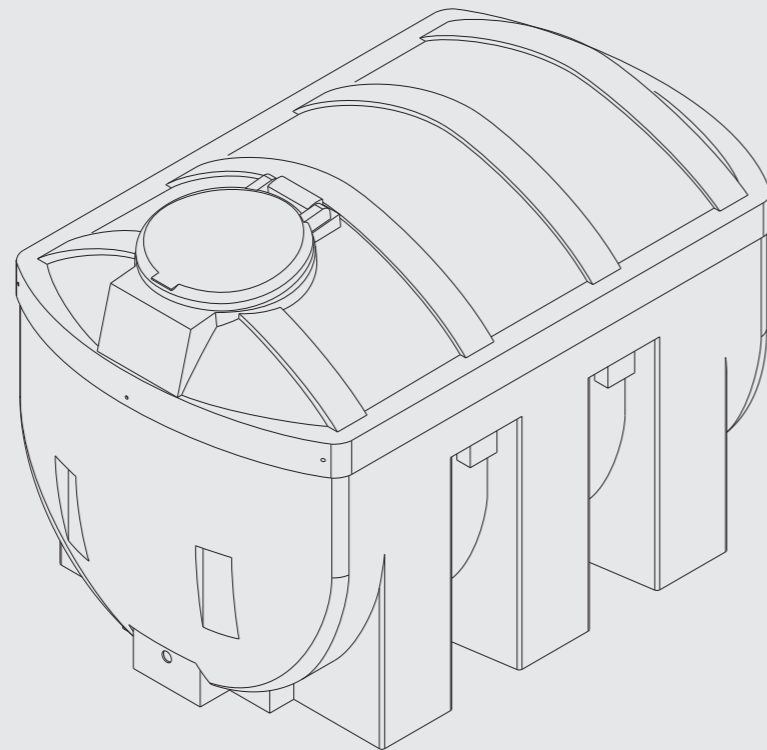


DESO

ENGINEERING

Deso Engineering
Slade Way
Roughmoor Industrial Estate
Williton
Somerset
TA4 4TB

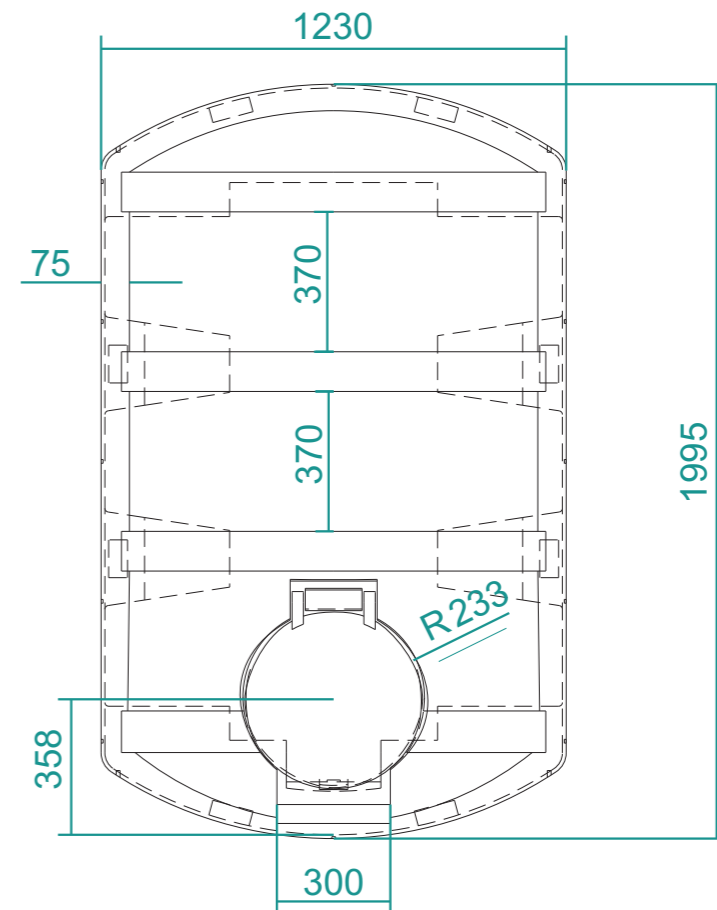
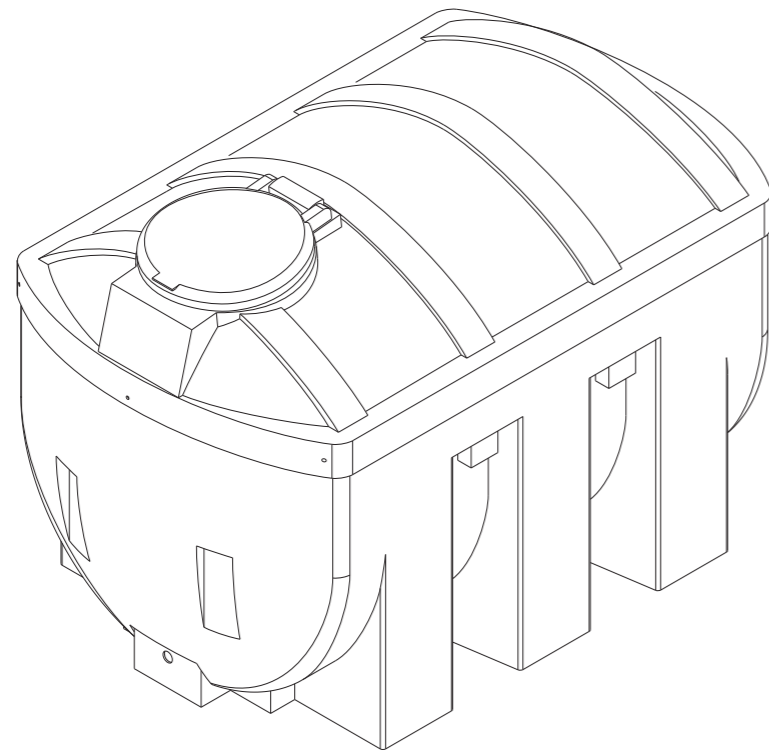
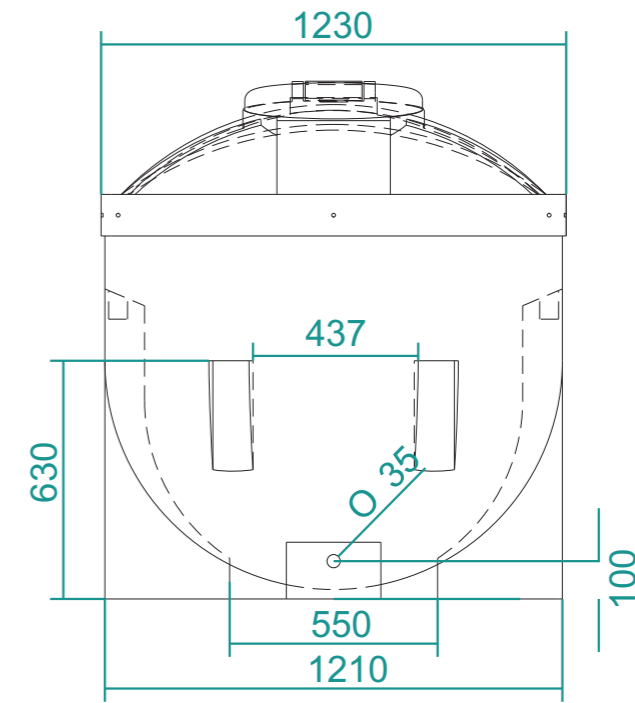
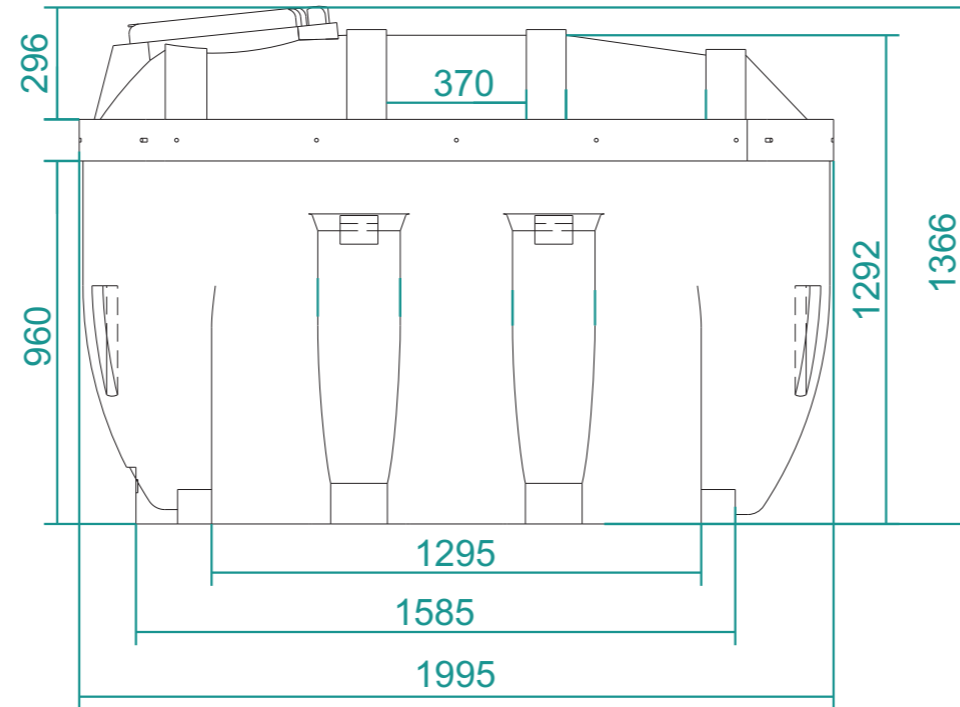
Telephone - 01984 632026
Fax - 01984 634267
enquiries@desoengineering.co.uk



H1235B

Weight	135kg
Capacity	1235litres
Diameter	-
Length	1995mm
Width	1230mm
Height	1366mm
Ofcert licence No.	pending

H1235B



H1235B	No. 1 of 1	3rd Angle Orthographic	scale: 1:20	Design by Inky Design www.inky-design.co.uk
DESO ENGINEERING Telephone - 01984 632026		drawn by: Jonathan Taphouse (BEng)		
		date: 26 - 02 - 2011	ISO	