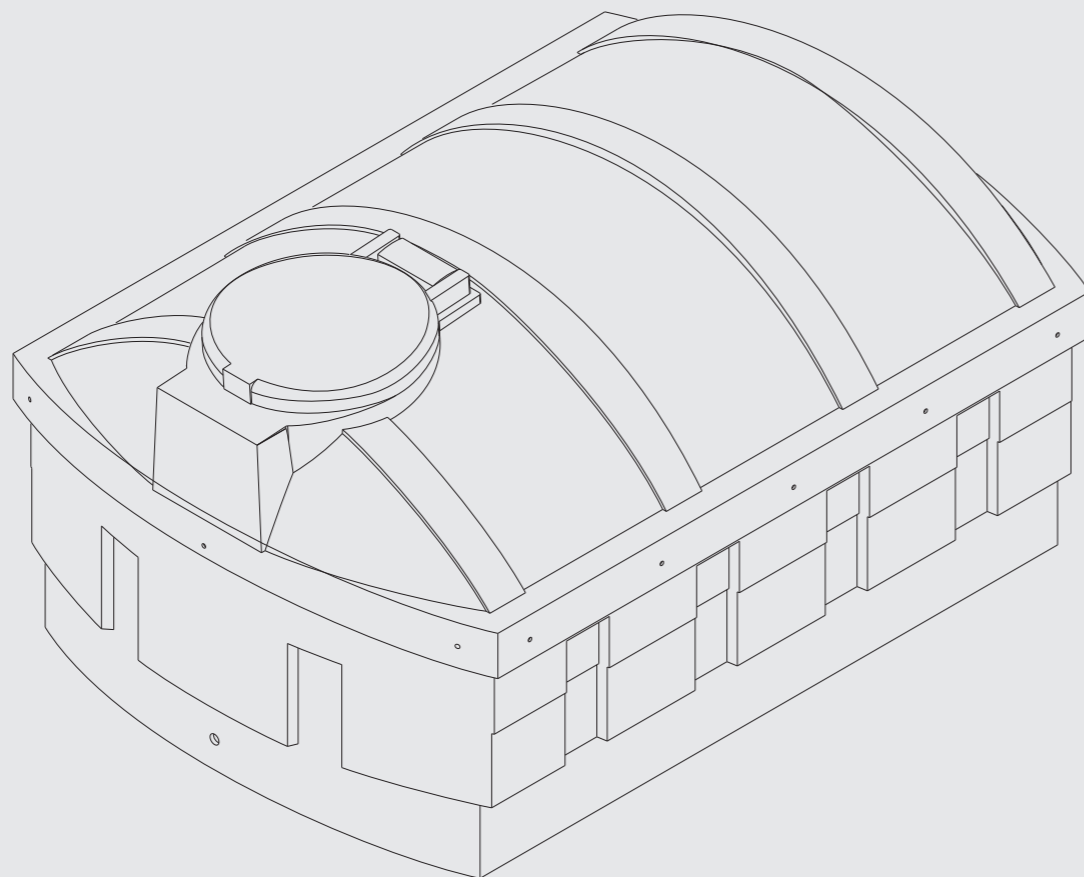


DESO

ENGINEERING

Deso Engineering
Slade Way
Roughmoor Industrial Estate
Williton
Somerset
TA4 4TB

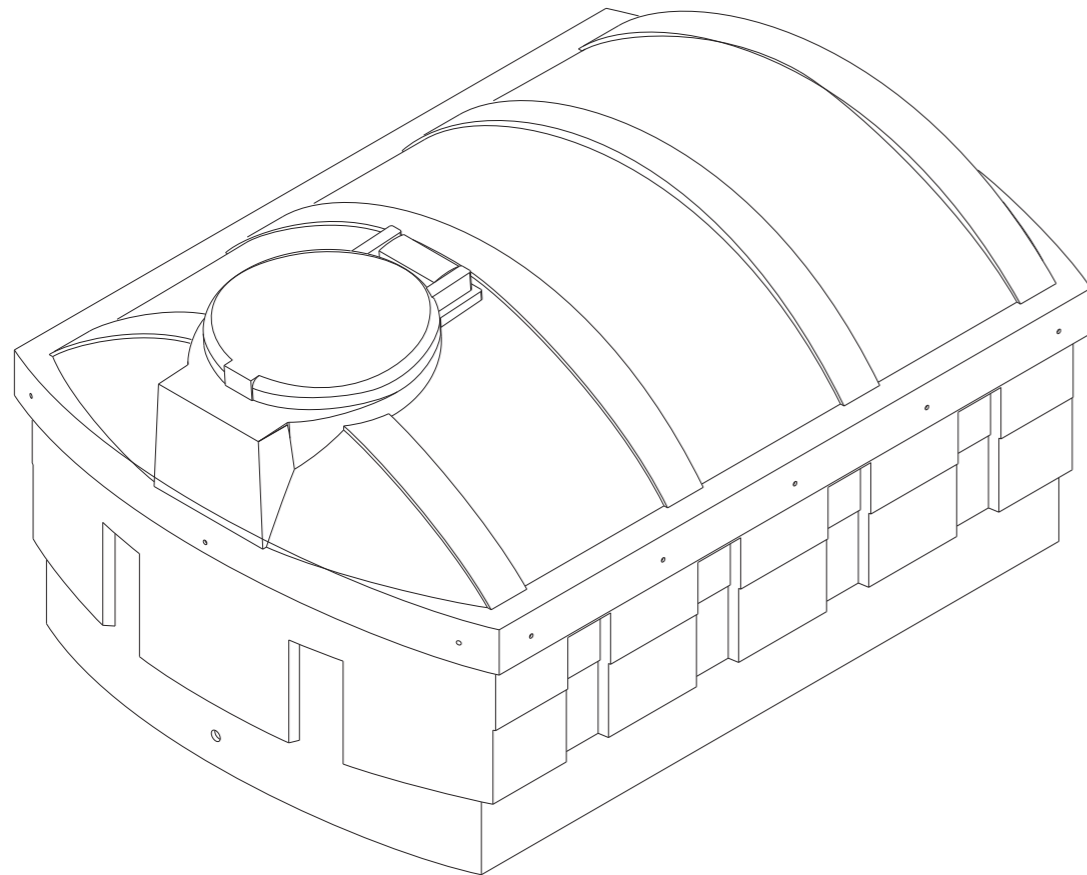
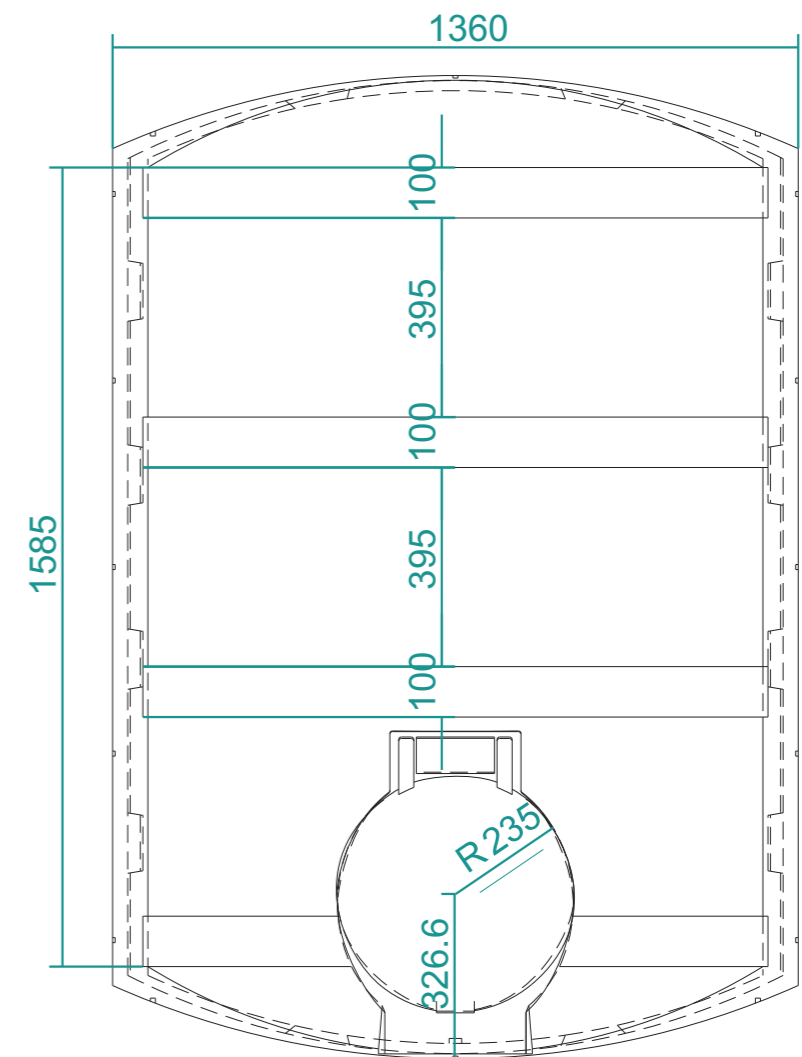
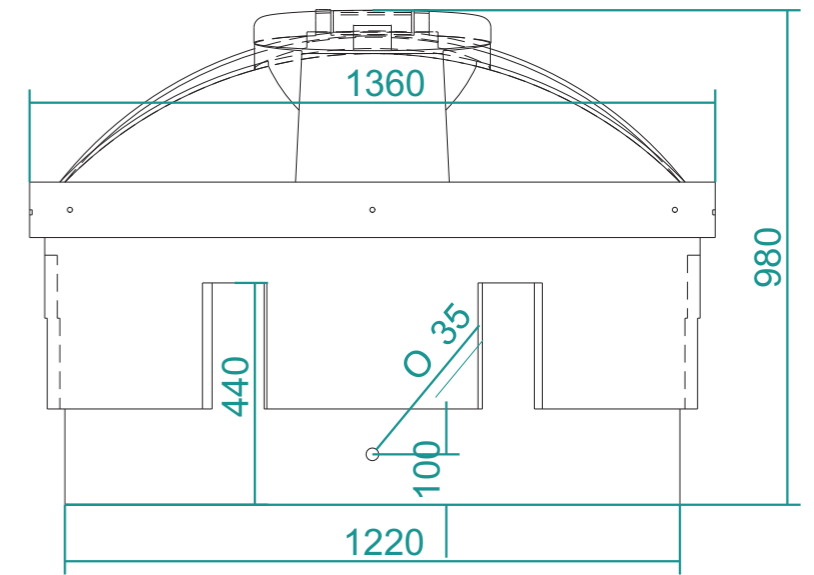
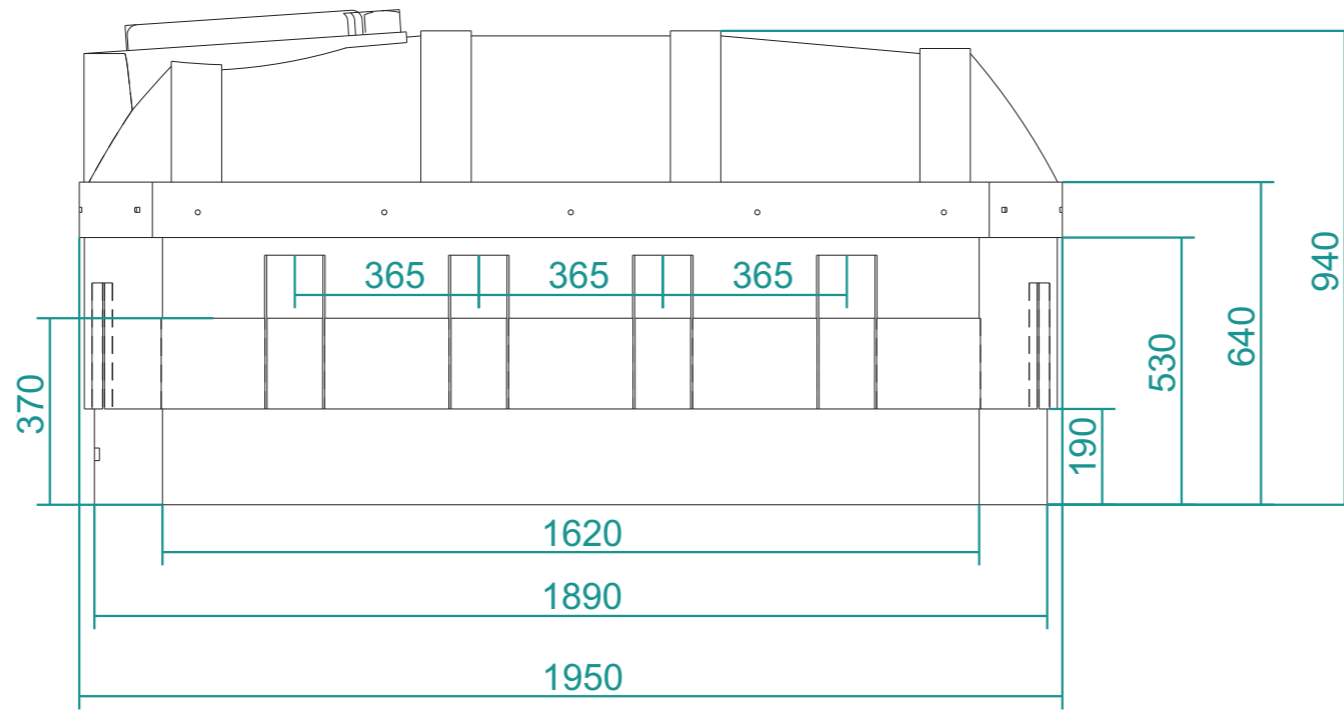
Telephone - 01984 632026
Fax - 01984 634267
enquiries@desoengineering.co.uk



LP1230B

Weight	112kg
Capacity	1230litres
Diameter	-
Length	1950mm
Width	1360mm
Height	980mm
Ofcert licence No.	pending

LP1230B



LP1230B	No. 1 of 1	3rd Angle Orthographic	scale: 1:15	Design by Inky Design www.inky-design.co.uk
DESO ENGINEERING Telephone - 01984 632026		drawn by: Jonathan Taphouse (BEng)		
		date: 20 - 11 - 2010	ISO	