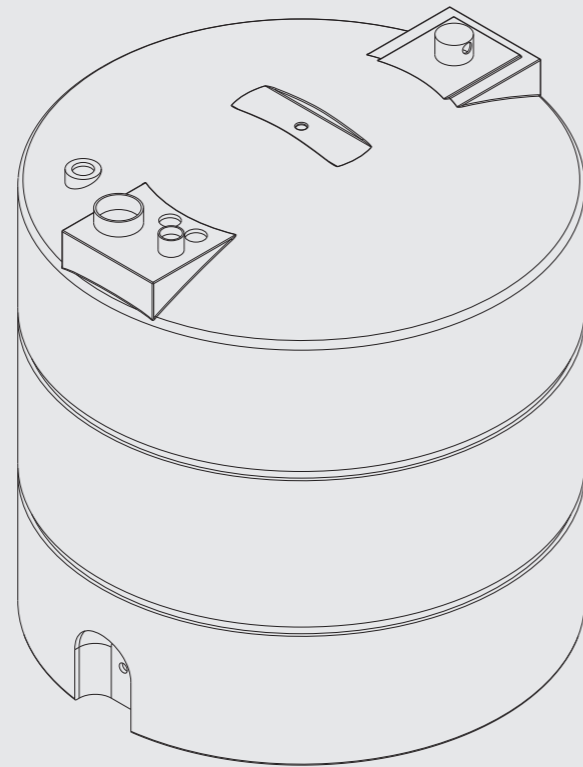


DESO

ENGINEERING

Deso Engineering
Slade Way
Roughmoor Industrial Estate
Williton
Somerset
TA4 4TB

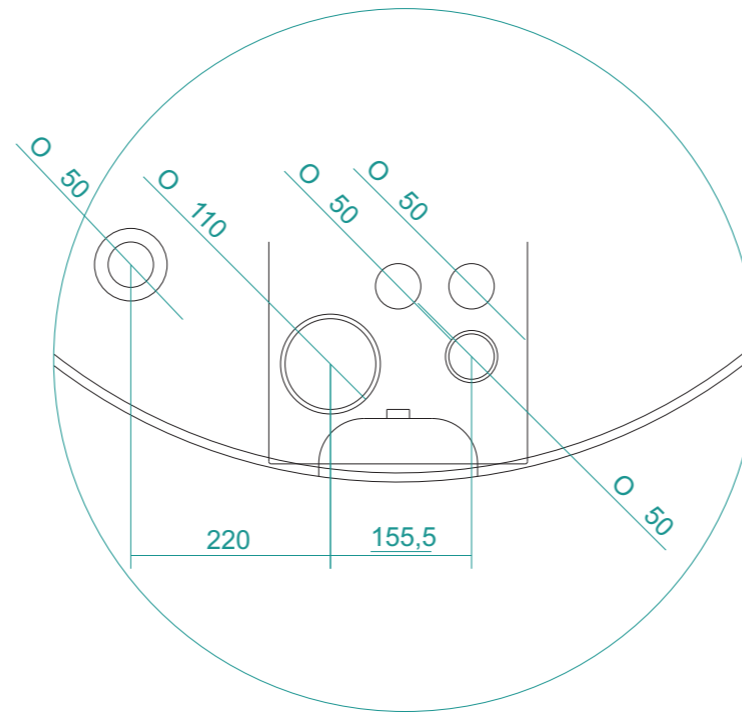
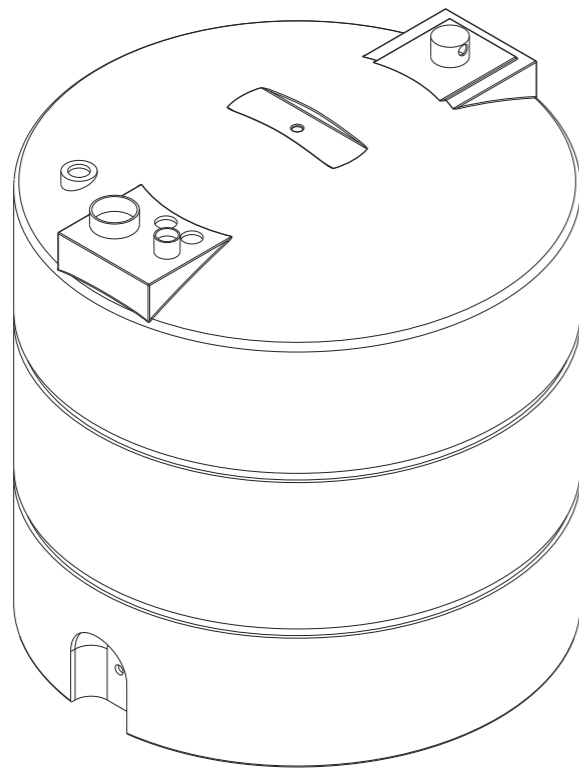
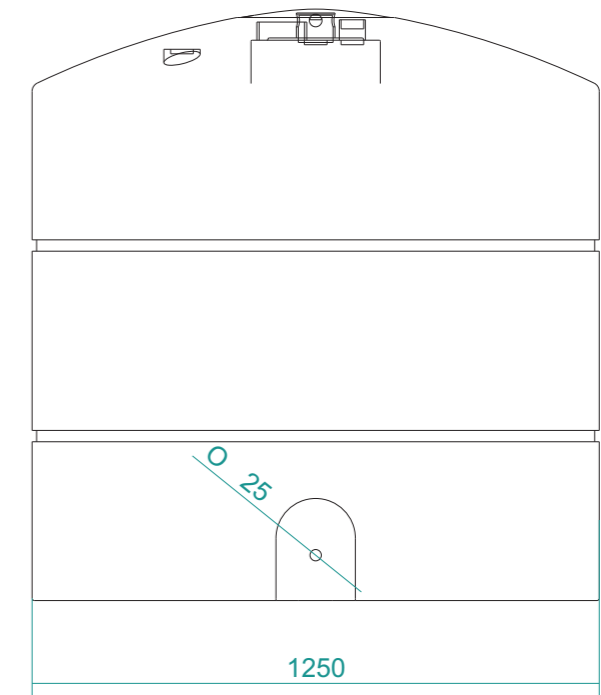
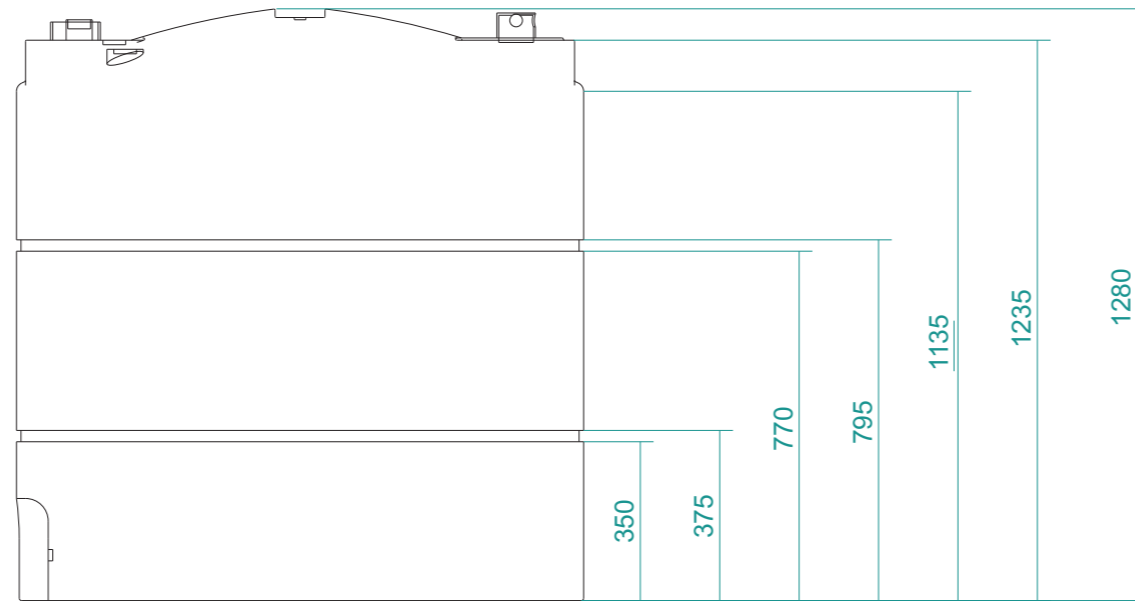
Telephone - 01984 632026
Fax - 01984 634267
enquiries@desoengineering.co.uk



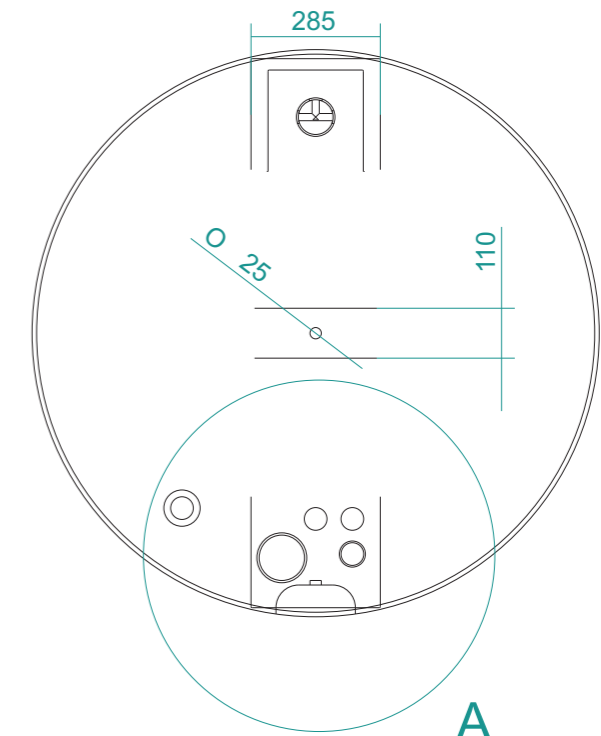
V1340

Weight	40kg
Capacity	1340litres
Diameter	1250mm
Length	-
Width	-
Height	1280mm
Ofcert licence No.	0668060203

V1340



DETAIL A



A

V1340	No. 1 of 1	3rd Angle Orthographic	scale: 1:17	Design by Inky Design www.inky-design.co.uk
DESO ENGINEERING Telephone - 01984 632026		drawn by: Jonathan Taphouse (BEng)		
		date: 15 - 04 - 2008	ISO	