

# Express

Vented point of use hot water



# Express

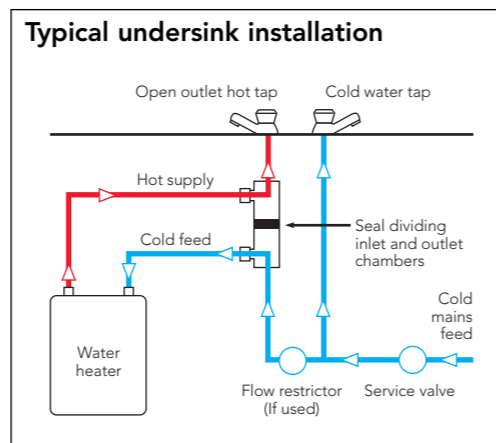
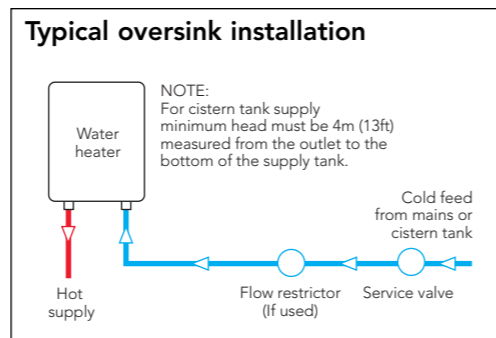


Express water heaters are designed for demanding commercial and industrial applications such as canteens and workshops.

They have a tough metal case, making them easily capable of withstanding the rigours of daily use. You can choose from two capacities – 7 litres (with a 1kW or 3kW rating) or 15 litres (with a 3kW rating) – so there's a model to meet your needs.

And, taking into account wide variety of possible uses, they are equally well-suited to oversink and undersink applications. Every Express water heater is backed by a two year guarantee with on-site service support.

- Choice of 7 litre or 15 litre capacities.
- 3kW rating (7 litre also available in 1kW).
- Fast heat up (nine minutes for 50°C rise in 7 litre, 3kW unit).
- Complete with spout and valve.
- Optional telescopic spout.
- Copper interior.
- Thermostat adjustable from 5°C to 75°C.
- Dry-start cut-out.
- Long-life alloy-sheathed element.
- Quick and easy installation.



## Full specifications, dimensions and ordering

### Specification

**Capacities**  
7 and 15 litres.

**Rating**  
7 litres – 1kW, 3kW @ 240V, (0.9kW, 2.8kW @ 230V).  
15 litres – 3kW @ 240V, (2.8kW @ 230V).

**Outer casing**  
White stove enamelled corrosion resistant steel with white trim.

**Thermal insulation**  
CFC/HCFC free (ODP zero) flame-retardant expanded polystyrene.

**Water container**  
Copper. Tested to 1.38 bar (20 psi).

**Heat unit**  
Rod-type alloy sheathed element mounted on a detachable plate.

**Thermostat**  
Capillary-type thermostat adjustable from 5°C to 75°C.

**Safety features**  
Dry-start cut-out.

**Approvals**  
BEAB and kiwa approved to UK Water Supply Regulations. CE marked.  
Manufactured in the UK in a BS EN ISO 9001:2000 registered factory.

### Installation

**Fixing**  
Wall-mounting by three keyhole fixings using screws and plugs supplied.  
A template is provided to assist in positioning.

**Plumbing**  
Supply direct from rising main or cistern (minimum head 4m).  
For oversink installations the inlet connection uses a 15mm compression fitting via valve provided.

Outlet spout is a push-fit.

For undersink installation connections must be from base of unit using 15mm compression or push-fit inlet and 15mm push-fit outlet connection. Streamline vented tap packs J, K, M, P, Q, R or S are also required for undersink installation.

**NOTE:** Only Heatrae Sadia vented taps or accessories must be used with Express heaters.

For tap specifications please refer to Heatrae Sadia's Streamline brochure.

**Electrical**  
Cable entry in base of unit. Must be permanently connected to the electrical supply through a double-pole linked isolating switch with a minimum rating of 13A (3kW models) or 5A (1kW model).

Must conform to current IEE wiring regulations.

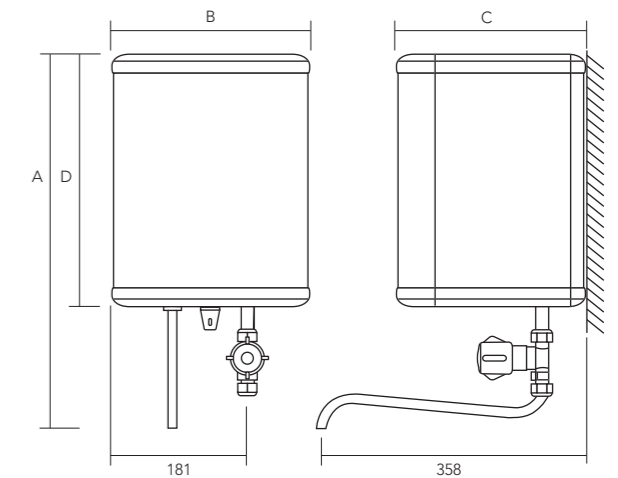
### Guarantee

Express carries a full two year transferable on-site service support guarantee against faulty manufacture or materials provided that:

- It has been correctly installed as per the instructions contained in the instruction manual and all relevant Codes of Practice and Regulations in force at the time of installation.
- It has been installed in the UK.
- It has not been modified in any way, other than by Heatrae Sadia Heating.
- The damage is not due to scaling or frost.
- It has only been used for the storage of potable water.
- It has not been tampered with or been subjected to misuse or neglect.
- Within 60 days of installation the user completes and returns the certificate supplied along with the proof of purchase to register the product.

Evidence of purchase and date of supply must be submitted. The units are not guaranteed against damage due to frost. The guarantee is transferable. This guarantee does not affect your statutory rights.

### Dimensions



| Model      | A   | B   | C   | D   | Weight     |           |
|------------|-----|-----|-----|-----|------------|-----------|
|            |     |     |     |     | empty (kg) | full (kg) |
| Express 7  | 499 | 263 | 250 | 334 | 5          | 12        |
| Express 7  | 499 | 263 | 250 | 334 | 5          | 12        |
| Express 15 | 748 | 263 | 250 | 583 | 8          | 23        |

### Ordering guide

| Model  | Capacity (litre) | Rating @ 240V (kW) | Product code |
|--|------------------|--------------------|--------------|
| Express 7  | 7                | 1                  | 95:010:160   |
| Express 7  | 7                | 3                  | 95:010:161   |
| Express 15                                       | 15               | 3                  | 95:010:162   |
| Telescopic spout (380 – 610mm)                   | -                | -                  | 95:970:103   |
| 15 x 15 push fit connector for undersink fitting | -                | -                  | 95:970:110   |



# Contact

## Specification

T: 01603 420220 F: 01603 420229

E: [specifier@heatraesadia.com](mailto:specifier@heatraesadia.com)

## After Sales Service

T: 0844 871 1535 F: 0844 871 1528

E: [heatraesadiaservice@heateam.co.uk](mailto:heatraesadiaservice@heateam.co.uk)

Web [www.heatraesadia.com](http://www.heatraesadia.com)

## National service network

Heatrae Sadia products are inherently reliable and are designed to meet the demanding needs of all users.

A nationwide network of experienced engineers is available to provide fast and efficient on-site service support.

In addition, spare parts for the complete range of products are readily available through a wide variety of stockists.

Heatrae Sadia Heating Hurricane Way Norwich Norfolk NR6 6EA

Heatrae Sadia Heating may introduce modifications to their products from time to time. Consequently, the details given in this brochure are subject to alteration without notice.

95 900 906 Issue 1 © Heatrae Sadia Heating. 2009.

A division of B A X I G R O U P

Brochures for all of our products are available free of charge. Please call our literature hotline on 01603 420127.

### Domestic Heating and Hot Water

- Aerheat
- Electric Solar
- Electromax Solar
- Megaflo Solar
- Showers
- Amptec
- Electromax
- Megaflo HE
- Megalife HE

### Commercial Hot Water

- B3M / C3M
- FBM
- Handy Dri and Hair Drier
- Immersion Heaters
- Streamline
- Express
- Handy
- Hotflo
- Multipoint
- UTC 99

### Drinking Water

- SuperChill
- Supreme



#### Mixed Sources

Product group from well-managed forests, controlled sources and recycled wood or fiber  
[www.fsc.org](http://www.fsc.org) Cert no. XXXXXXXXX  
© 1996 Forest Stewardship Council



This product is printed on 50% post consumer recycled paper. That is paper that has been previously used eg. newspapers and magazines. This product is printed using vegetable based inks which are non toxic. Please recycle this product once you have finished with it.