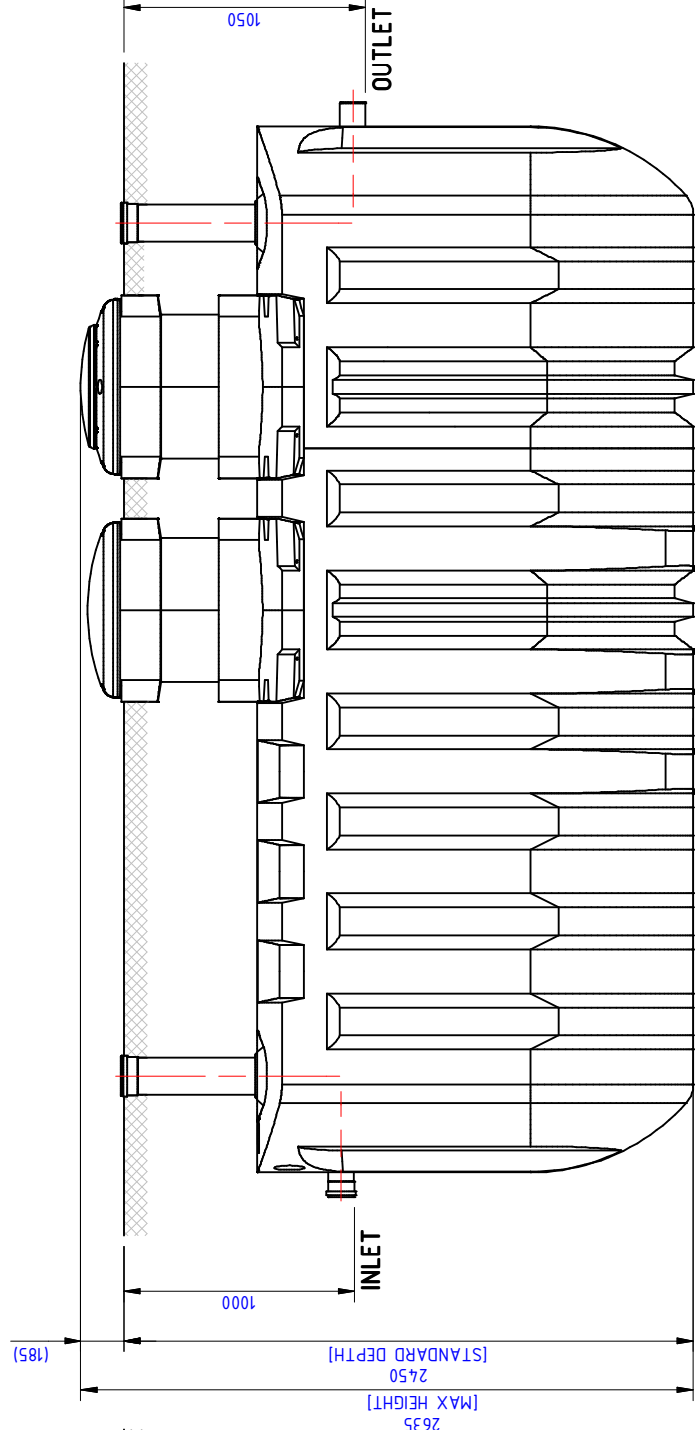
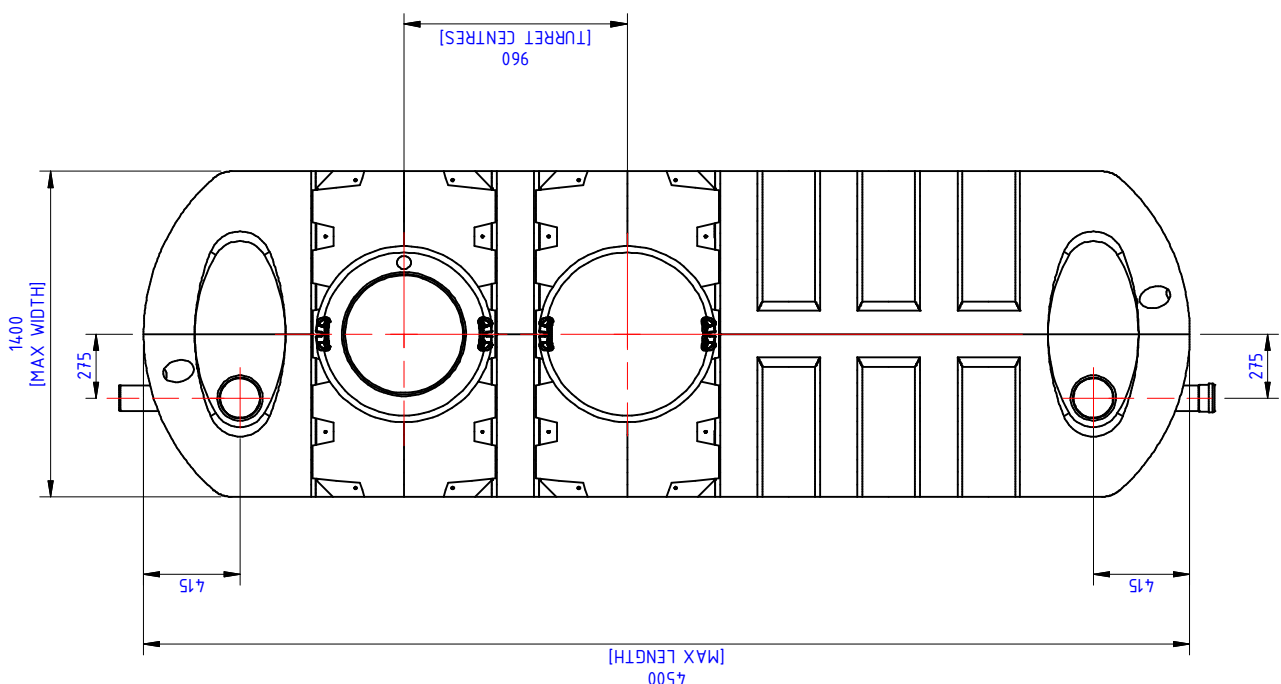


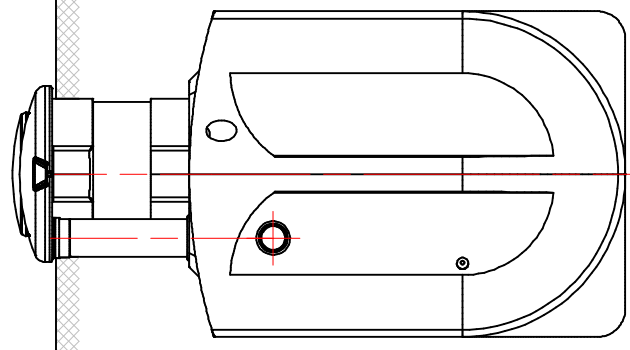
ANNOTATED PERSPECTIVE CUT-AWAY VIEW
[ILLUSTRATION ONLY]



SIDE ELEVATION



PLAN



END ELEVATION [INLET]

THIS DRAWING IS COPYRIGHT AND IS ISSUED ON CONDITION THAT IT IS NOT COPIED, REPRODUCED OR DISCLOSED TO A THIRD PARTY WITHOUT CONSENT IN WRITING OF BALMORAL TANKS LTD., ABERDEEN

FIRST ANGLE PROJECTION

THIRD ANGLE PROJECTION

ALL DIMENSIONS IN MILLIMETRES UNLESS STATED OTHERWISE - DO NOT SCALE IF IN DOUBT - ASK

HYDROCLEAR 12 POP

SYSTEM GENERAL ASSEMBLY

PRODUCT FEATURES:

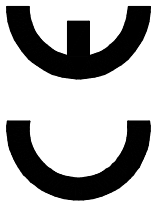
- Ø110mm STANDARD PVC INLET AND OUTLET PIPES
- AIR COMPRESSOR
- AIR DIFFUSER
- ELECTRICAL ISOLATOR SWITCH
- BIO-MEDIA
- SLING POINTS

MATERIALS CONTAINMENT:

- WASTE WATER [NON-INDUSTRIAL]

TECHNICAL INFORMATION:

- TANKS - VOLUMES WEIGHTS
- PRIMARY SETTLEMENT - 3400litres
- AERATION CHAMBER - 1440litres
- FINAL SETTLEMENT CHAMBER - 1110litres
- POWER REQUIREMENTS - 550kg
- 230V
- 105W
- 0.9A [START-UP CURRENT]



GENERAL NOTES:

- ACCREDITED TO BS EN 12566-3
- CE TREATMENT EFFICIENCY -
- BOD - 10mg/l
- SS - 13mg/l
- NH₄-N - 6mg/l
- INVERT DEPTHS ARE REDUCIBLE TO A MINIMUM OF 750mm CONTACT BALMORAL FOR DETAILS
- 525mm DEEP TURRET EXTENSION PIECES AVAILABLE ON REQUEST
- FOR INSTALLATION AND OPERATION GUIDELINES FOLLOW INSTRUCTIONS SUPPLIED IN TANK

ALL MEASUREMENTS ARE FOR REFERENCE ONLY
BALMORAL TANKS RESERVE THE RIGHT TO REVISE THEIR PRODUCT DESIGNS AND SUPPORTING INFORMATION AT ANY TIME

02	INVERT INCREASE; CE-APPROVAL	SI	BB	TM	01/12/08
01	FIRST ISSUE	SI	BB	BB	01/08/08
ISSUE	MODIFICATION	BY	CHK	APV	DATE

BALMORAL TANKS

Head Office and Factories
Balmoral Park, Loirston, Aberdeen AB12 3GY
Tel +44 (0)1224 859000 Fax +44 (0)1224 859123
Email tanks@balmoral.co.uk www.balmoraltanks.com



CLIENT

BALMORAL TANKS

PROJECT No. 6262

DRAWING TITLE

BHYD-12: 12 POPULATION SYSTEM GENERAL ASSEMBLY (TANK 1of1)

DRAWN BY	CHECKED BY	APPROVED BY	DRAWING No.
SIRONSIDE	BB	TM	INVD-002 1of1
SCALE	DATE	SHEET SIZE	JOB No.
1:25	DECEMBER 2008	A2	