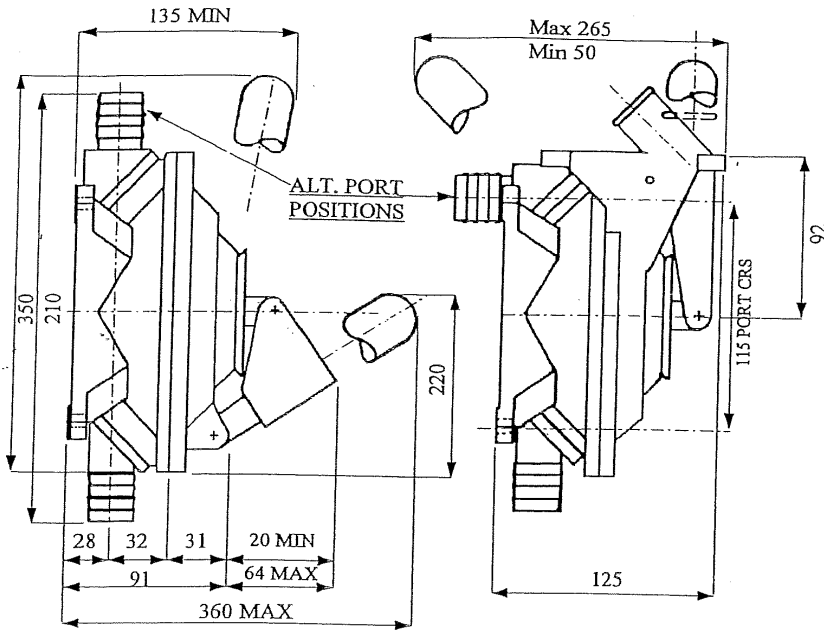
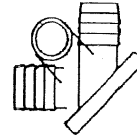


# SD60 INSTALLATION DETAIL

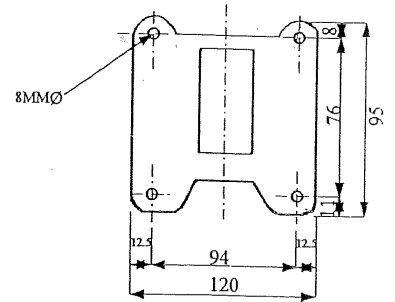
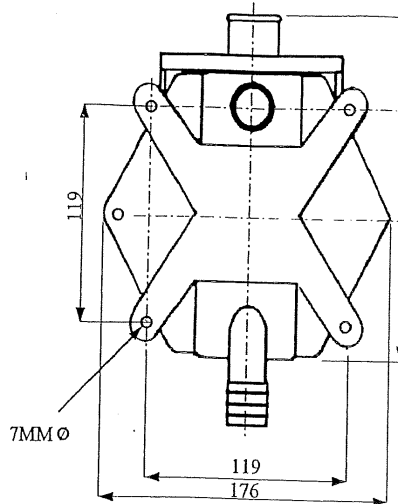


← SD60 BM

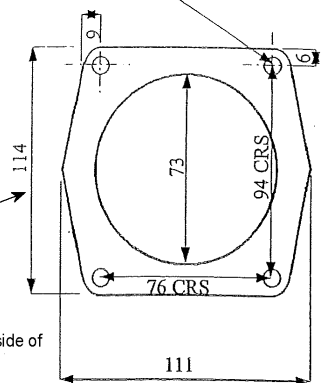


INLET & OUTLET PORTS  
ROTATE THROUGH 90deg  
GIVING 4 DIFFERENT  
CONNECTING POSITIONS

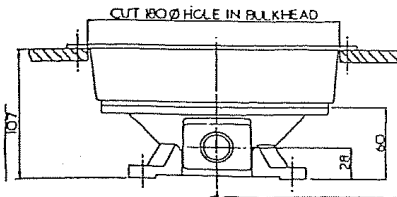
SD60 UD →



Clearance for 6mm screw



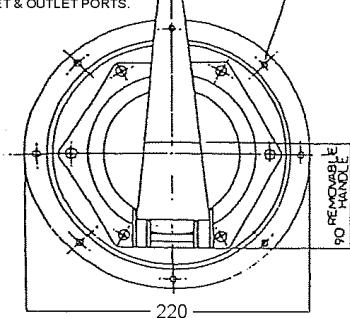
DECKPLATE  
85mm Hole required for fitting.  
Place rim of rubber deck seal against underside of  
deck plate and secure.



THROUGH BULKHEAD  
PUMP

PUMP HANDLE CAN BE  
ROTATED IN RELATION TO  
INLET & OUTLET PORTS.

8-FIXING HOLES  
FOR 5 Ø SCREWS



← SD60 FB