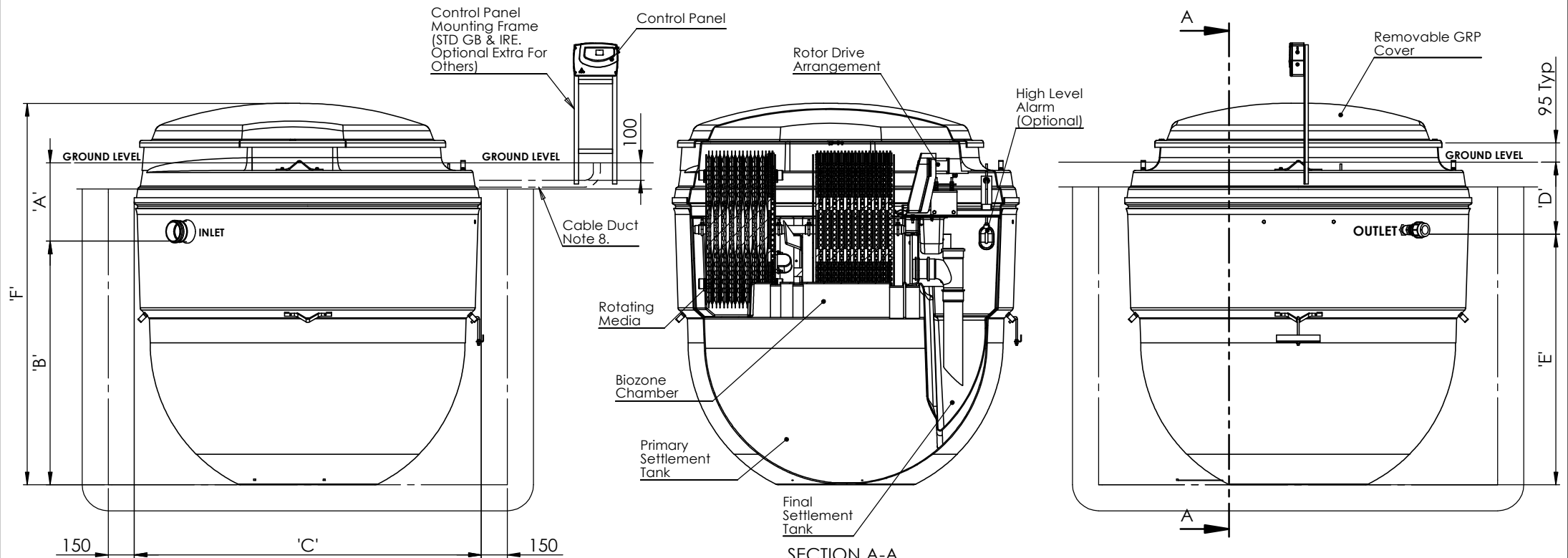


Notes:

1. This drawing is for 'Dimensional Information Only'. It is essential that this drawing is read in conjunction with the 'Installation Guidelines' supplied with the unit. (Copies available from our sales department).
2. BioDisc Tank & Cover are manufactured glass reinforced polyester (GRP). Cover is finished in Green to BS4800 Tint 18.B.25
3. For desludging procedure see Maintenance Handbook.
4. Electrical Supply - 240Volts, 2 Amps, Single Phase, Control Panel Supplied.
5. BioDisc must only be lifted by 3 lugs provided.
6. 3 no. Inlet Inverts available - 450mm, 750mm, 1250mm.
7. For Installation, Maintenance & Desludging details refer to GL0010P & GL0011P.
8. Cable Duct hole diameter in case to suit conduit to be used.



SECTION A-A

Please check with Kingspan Environmental that this drawing is the latest issue

Issue	Date	Drawn by	Approved by	Description
04	04/11/15	L.Steward		CC1241 - Introduction Of 1.0m Invert For Europe/ ROW
03	19.08.15	T.Kelly		CC1259 - Control Panel Mounting Frame Options Updated

Material : Various	Tolerance :
Finish :	Thickness : n/a
Weight : See Sheet 2	Surface Area :

Drawing : DS1147P

Page 1 of 3

BA-BB-BAX BioDisc IPS Sales Drawing

All dimensions in mm

Scale: Not to scale

Kingspan Environmental reserve the right to alter the details of this drawing without prior notice. This drawing is copyright and may not be reproduced or used without the written permission of Kingspan Environmental.



### BA IPS BioDisc Dimension & Weight Chart

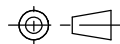
Unit Dimension Chart (IPS Systems).							
Dim 'A' (mm)	Dim 'B' (mm)	Dim 'C' (mm)	Dim 'D' (mm)	Dim 'E' (mm)	Dim 'F' (mm)	Dry Weight (Incl. Pallet) (Kgs)	Full Weight (Exclud. Pallet) (Kgs)
450	1400	1995	425	1425	2160	310	3290
750	1400	1995	425	1725	2460	325	3305
1250	1400	1995	425	2225	2960	380	3360

### BAX & BB IPS BioDisc Dimension & Weight Chart

Unit Dimension Chart (IPS Systems).							
Dim 'A' (mm)	Dim 'B' (mm)	Dim 'C' (mm)	Dim 'D' (mm)	Dim 'E' (mm)	Dim 'F' (mm)	Dry Weight (Incl. Pallet) (Kgs)	Full Weight (Exclud. Pallet) (Kgs)
450	1400	1995	425	1425	2160	335	3315
750	1400	1995	425	1725	2460	350	3330
1250	1400	1995	425	2225	2960	405	3385

Material :	Tolerance (unless stated) :	<b>Drawing : DS1147P</b>
Finish :	Thickness :	Page 2 of 3
Weight :	Surface Area : m <sup>2</sup>	BA-BB-BAX BioDisc IPS Sales Drawing
Modelled By :		

All Dimensions In mm    Scale: Do Not Scale



Third Angle Projection

Kingspan Environmental reserve the right to alter the details of this drawing without prior notice. This drawing is copyright and may not be reproduced or used without the written permission of Kingspan Environmental



### BA IPS BioDisc Dimension & Weight Chart (Europe & ROW Only)

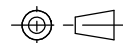
Unit Dimension Chart (IPS Systems).							
Dim 'A' (mm)	Dim 'B' (mm)	Dim 'C' (mm)	Dim 'D' (mm)	Dim 'E' (mm)	Dim 'F' (mm)	Dry Weight (Incl. Pallet) (Kgs)	Full Weight (Exclud. Pallet) (Kgs)
1000	1400	1995	425	1975	2747	353	3333

### BB IPS BioDisc Dimension & Weight Chart (Europe & ROW Only)

Unit Dimension Chart (IPS Systems).							
Dim 'A' (mm)	Dim 'B' (mm)	Dim 'C' (mm)	Dim 'D' (mm)	Dim 'E' (mm)	Dim 'F' (mm)	Dry Weight (Incl. Pallet) (Kgs)	Full Weight (Exclud. Pallet) (Kgs)
1000	1400	1995	425	1975	2747	378	3358

Material :	Tolerance (unless stated) :	<b>Drawing : DS1147P</b>
Finish :	Thickness :	Page 3 of 3
Weight :	Surface Area : m <sup>2</sup>	BA-BB-BAx BioDisc IPS Sales Drawing
Modelled By :		

All Dimensions In mm    Scale: Do Not Scale



Third Angle Projection

Kingspan Environmental reserve the right to alter the details of this drawing without prior notice. This drawing is copyright and may not be reproduced or used without the written permission of Kingspan Environmental

