



201 N. Champaign St. Bement, Illinois 61813

## 41 SERIES EXTENDED LENGTH B12=75

**Media Type:** Microglass

Max Working Pressure (psi): 100

Core Collapse Pressure (psid): 80

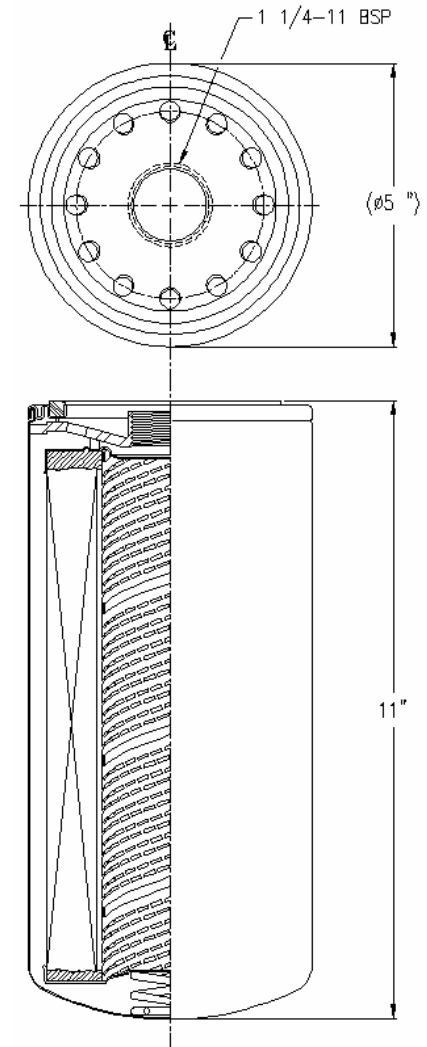
$\beta_6=2$   
 $\beta_{12}=75$   
 $\beta_{13}=200$   
 $\beta_{14}=500$

### NOTES:

1. Technical Data subject to change without notice.
2. Tests are conducted with Mobile Aero HFA Aviation Hydraulic Fluid.
3. Filters are not to be used with aviation applications.

jw 02/24/09 Rev A

## Technical Data Sheet - 70345



Gasket:

I. D. 3 13/16

O. D. 4 1/4