

# SCHEMA DI MONTAGGIO - ASSEMBLY



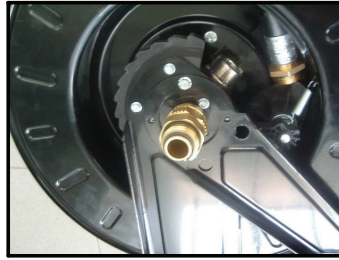
-1)



-2)



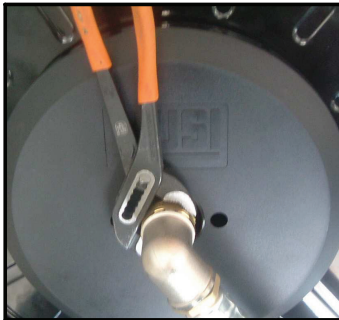
-3)



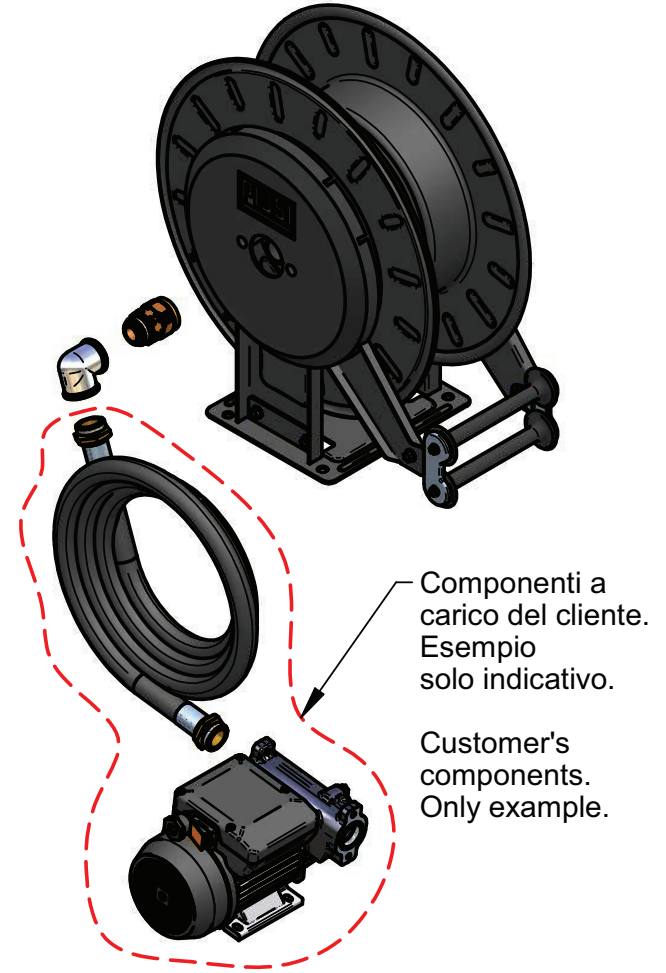
-4)



-5)



-6)




ENGLISH (Translated from Italian)

**A INDEX**

INDEX  
MACHINE AND MANUFACTURER IDENTIFICATION  
DECLARATION OF INCORPORATION OF PARTLY-COMPLETED MACHINERY  
MACHINE DESCRIPTION  
MOVING AND TRANSPORT  
GENERAL SAFETY RULES  
TECHNICAL DATA

**B MACHINE AND MANUFACTURER IDENTIFICATION**

AVAILABLE MODELS  
PRODUCT CODE  
TECHNICAL DATA  
MANUFACTURER



HERETY STATES under its own responsibility, that the partly-completed machinery...

ENGLISH (Translated from Italian)

**F FIRST AID RULES**

Persons who handle this product...

**NOTE**

**SMOKING PROHIBITED**

**G GENERAL SAFETY RULES**

Essential protective equipment characteristics...

Personal protective equipment that must be worn...

Protective equipment...

Protective gloves...

**DANGER**

Before each use, check that the network connection cable and power plug are not damaged...

**C DECLARATION OF INCORPORATION OF PARTLY-COMPLETED MACHINERY**

The undersigned PIUSI S.p.A. designates...

HERETY STATES under its own responsibility, that the partly-completed machinery...

**H1 TECHNICAL DATA**

**PERFORMANCE SPECIFICATIONS**

The performance diagram shows flow rate as a function of back pressure.

Flow Rate (m³/hr)	Flow Rate (gpm)	Flow Rate (US GPM)
50	12	15
48	12	16
46	12	17
0	24	12

**D MACHINE DESCRIPTION**

**MOTOR**

**D1 MOVING AND TRANSPORT**

**E GENERAL SAFETY RULES**

To ensure operation safety...

**WARNING**

**ATTENTION**

**NOTE**

**M3 NOTES ON SUCTION AND DELIVERY LINES**

DELIVERY

The selection of the pump model must be made taking into account the back pressure...

**M5 LINE ACCESSORIES**

**ATTENTION**

It is the responsibility of the installer to provide the necessary line accessories to ensure the correct and safe operation of the pump...

**PIUSI S.p.A.**  
Via Padroni, 21 Rangano  
46029 Suzzara (Mantova) Italy

**PIUSI S.p.A.**  
HERETY STATES under its own responsibility, that the partly-completed machinery...

ENGLISH (Translated from Italian)

**I ELECTRICAL SPECIFICATIONS**

PUMP MODEL	FUSES	ELECTRICAL CURRENT	ELECTRICAL POWER	CURRENT
		max. 50% max. 50%	(W)	(A)
VERSION 12V	25 DC	12	22	22
VERSION 24V	15 DC	24	12	12

**L OPERATING CONDITIONS**

**L1 ENVIRONMENTAL CONDITIONS**

TEMPERATURE

RELATIVE HUMIDITY

LIGHTING

**ATTENTION**

**L2 ELECTRICAL POWER SUPPLY**

**ATTENTION**

**L3 DUTY CYCLE**

**ATTENTION**

**L4 FLUIDS PERMITTED / FLUIDS NOT PERMITTED**

The decal DIESEL FUEL at a viscosity of from 2 to 5.35 cSt (at a temperature of 27.8°C) Maximum Fuel Flow (FM): 10 L/h

NOT PERMITTED

**M INSTALLATION**

**M1 PRELIMINARY INSPECTION**

1 Verify that all components are present...

2 Check that the machine has not suffered any damage during transport or storage...

3 Carefully clean the suction and delivery lines and outlets...

4 Check that the electrical data corresponds to those indicated on the data plate...

5 Always install in an unflattened area...

6 Install the pump in ventilated place to avoid any vapour accumulation...

7 We recommend that a suction filter be used...

**M2 POSITIONING THE PUMP**

**ATTENTION**

The pumps can be installed in any position with pump axis in vertical or horizontal position...

**M3 LINE ACCESSORIES**

**ATTENTION**

It is the responsibility of the installer to provide the necessary line accessories to ensure the correct and safe operation of the pump...

**M4 CONFIGURATION AND ACCESSORIES**

**NOTE**

The wide range of accessories and the possibility to fit the base in different positions allow the pump to be used for different installations...

**LIST OF ACCESSORIES**

1 Firing trigger

2 Straight bores

3 Coupling 90° with flange 1

4 Kit terminal box (with or without switch). If the terminal board kit is present and the switch is in position "OFF", the pump is working.

5 Straight hose connector for horizontal openings

6 BP 3000 body with horizontal openings

7 BP 3000 body with vertical openings

8 Pump motor

9 Straight flanged coupling

10 Bubble hose

11 Self 200 nozzle

ENGLISH (Translated from Italian)

**N CONNECTIONS**

**GENERAL WARNING**

Comply with the following (not exhaustive) instructions to ensure a proper electrical connection...

**ATTENTION**

**ATTENTION**

**ATTENTION**

**ATTENTION**

**ATTENTION**

**ATTENTION**

**ATTENTION**

**NOTE**

**NOTE**

ENGLISH (Translated from Italian)

**O INITIAL START-UP**

**GETTING STARTED**

1 Check that the quantity of diesel fuel in the suction tank is greater than the amount you wish to transfer...

2 Make sure that the residual capacity of the suction tank is greater than the quantity you wish to transfer...

3 Do not run the pump dry. This can cause sensor damage to its components...

4 Make sure that the tubing and line accessories are in good condition. Do not use hoses with sharp bends, cracks, kinks, and old, leaky sections...

5 Do not operate switches with wet hands...

6 Extreme operating conditions with working cycles longer than 30 minutes can cause the motor itself to become overheated, which may lead to temporary failure. In the priming phase the pump must flow the air freely in the engine, installation and the motor terminals. This helps to reduce the temperature of the motor. If an automatic type dispensing nozzle is installed at the end of the delivery line, the evacuation of the air will be difficult because of the automatic stopping device that keeps the valve closed when the line pressure is too low. It is recommended that the nozzle be disconnected after the first start-up phase.

**PRIMING**

The priming phase can last from several seconds to a few minutes, as a function of the quantity of air in the suction tank...

**ATTENTION**

That the suction tubing is not allowed at all to seep in that the suction line is not running completely dry.

That the suction height does not exceed 2 m. If the height exceeds 2 m, fill the suction line with the liquid to be dispensed. In particular, that the suction pressure is not greater than 5 bar.

When priming has occurred, verify that the pump is operating within the anti-cavitation zone. In particular, that under conditions of maximum back pressure, the cover absorption of the pump is within the value shown on the identification plate.

That the suction pressure is not greater than 5 bar.

That the back pressure in the delivery line is not greater than the maximum back pressure (see item for the pump).

ENGLISH (Translated from Italian)

**P DAILY USE**

**FOREWORD**

**PROCEDURE**

1 This pump is for professional use only.

2 Always fasten tubing at the ends of the tubing to the tanks in the absence of an appropriate seal, so that the delivery tube will be airtight and the tank will be properly sealed.

3 Before starting the pump make sure that the delivery tubing is not kinked and is not bent.

4 Turn the ON/OFF switch on. The by-pass valve allows functioning with delivery closed only for brief periods.

5 Operate the valve slowly against the end of the tubing. While dispensing do not inhale the pumped product. Should you spill any liquid while dispensing, wipe it with earth and do not absorb it and limit its spreading.

6 Close the delivery valve to stop dispensing. When dispensing is finished turn off the pump.

7 After use, make sure the pump is turned off in case of a power break, switch the pump of straight away.

**ATTENTION**

**ATTENTION**

**NOTE**

**NOTE**

**NOTE**

**NOTE**

**NOTE**

**NOTE**

**NOTE**

**NOTE**

ENGLISH (Translated from Italian)

**Q MAINTENANCE**

**SAFETY WARNINGS**

Thanks to the design, the pump requires simple maintenance. Before carrying out any maintenance work, disconnect the pump from any electrical and hydraulic power sources.

During maintenance, the use of personal protective equipment (PPE) is compulsory. In any case, it is always in mind the following basic recommendations for good functioning of the pump:

Check that the pipe connections are not loose to prevent any leaks.

Check and keep the filter installed on the suction line clean.

Check the pump body and clean it and free of any dirt.

Check that the electrical supply cables are in good condition.

Do not put your fingers into the pump openings while the pump is working.

**ONCE A WEEK:**

**ONCE A MONTH:**

**ONCE A YEAR:**

**NOTE**

Under normal working conditions the noise emission from all models does not exceed the value of 70 db at a distance of 1 meter from the electric pump.

ENGLISH (Translated from Italian)

**R NOISE LEVEL**

**NOTE**

Under normal working conditions the noise emission from all models does not exceed the value of 70 db at a distance of 1 meter from the electric pump.

ENGLISH (Translated from Italian)

**S PROBLEMS AND SOLUTIONS**

For any problems contact the authorized dealer nearest to you.

PROBLEM	POSSIBLE CAUSE	CORRECTIVE ACTION
THE MOTOR IS NOT TURNING	Lack of electric power Rotor jammed Motor problems	Check the electrical connections and the safety switches. Check for possible damage to PPS (see the manual for PPS components). Clean the voltage tank within the serviced limits.
THE MOTOR TURNS SLOWLY WHEN STARTING	Low level in the suction tank Air entering the pump High viscosity of the liquid	Refill the tank Clean and/or replace the valve Clean the filter.
LOW OIL OR NO FLOW RATE	Excessive suction pressure Clogged hose High loss of head in the delivery line or the cross-section of the tubing or the pump diameter By-pass valve blocked	Lower the pump with respect to the level of the tank or increase the cross-section of the tubing or the pump diameter Clean and/or replace it Clean the filter. Disassemble the valve, clean and/or replace it.
INCREASED PUMP NOISE	Uneven functioning of the by-pass system Air present in the diesel tank Seal damaged	Reduce suction pressure Dispense fuel until the air is purged from the by-pass system. Verify the suction connections. Check and replace the seal.

ENGLISH (Translated from Italian)

**T DEMOLITION AND DISPOSAL**

**FOREWORD**

This system needs to be disposed of, because it may still be delivered to companies that specialize in the recycling and disposal of industrial wastes and, in particular, the packaging consists of biodegradable cardboard which can be delivered to companies for normal recycling of cellulose.

Metal parts, whether painted or in stainless steel, can be considered to scrap metal (obsolescence).

These must be disposed of by companies that specialize in the disposal of electrical products. In accordance with the indications of directive 2002/96/EC (see text of directive below).

European Directive 2002/96/EC requires that all materials marked with this symbol on the product and/or packaging must be disposed of with non-differentiated urban waste. The symbol indicates that this product must not be disposed of together with normal household waste. The responsibility of the owner to dispose of these products as well as other electronic or electric equipment by means of the specific instructions indicated by the government or the local governing authorities.

Other components, such as pipes, rubber gaskets, plastic parts and wires, may be disposed of by companies specializing in the disposal of industrial waste.

ENGLISH (Translated from Italian)

**U DISPOSAL OF THE PUMP**

Dispose of this product in accordance with the instructions indicated by the government or the local governing authorities.

ENGLISH (Translated from Italian)

**V DISPOSAL OF THE PUMP**

Dispose of this product in accordance with the instructions indicated by the government or the local governing authorities.

ENGLISH (Translated from Italian)

**W DISPOSAL OF THE PUMP**

Dispose of this product in accordance with the instructions indicated by the government or the local governing authorities.

ENGLISH (Translated from Italian)

**X DISPOSAL OF THE PUMP**

Dispose of this product in accordance with the instructions indicated by the government or the local governing authorities.

ENGLISH (Translated from Italian)

**Y DISPOSAL OF THE PUMP**

Dispose of this product in accordance with the instructions indicated by the government or the local governing authorities.

ENGLISH (Translated from Italian)

**Z DISPOSAL OF THE PUMP**

Dispose of this product in accordance with the instructions indicated by the government or the local governing authorities.

ENGLISH (Translated from Italian)

**AA DISPOSAL OF THE PUMP**

Dispose of this product in accordance with the instructions indicated by the government or the local governing authorities.

ENGLISH (Translated from Italian)

**AB DISPOSAL OF THE PUMP**

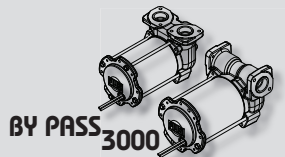
Dispose of this product in accordance with the instructions indicated by the government or the local governing authorities.

ENGLISH (Translated from Italian)

**AC DISPOSAL OF THE PUMP**

Dispose of this product in accordance with the instructions indicated by the government or the local governing authorities.

**BY PASS 3000**



**CARRY 3000**



**BATTERY KIT 3000**



MANUALE D'USO E MANUTENZIONE IT  
USE AND MAINTENANCE MANUAL EN

Bulletin M0192AITEN rev. 0

**PIUSI**  
think genius

PIUSI S.p.A.  
Suzzara (MN) Italy

Bulletin M0192AITEN rev. 0

ITALIANO (Lingua originale)

A INDICE

Table with 2 columns: Index items (INDICE, DESCRIZIONE DELLA MACCHINA, IDENTIFICAZIONE DELLA MACCHINA, etc.) and page numbers.

B IDENTIFICAZIONE DELLA MACCHINA E COSTRUTTORE



C DICHIARAZIONE DI INCORPORAZIONE DELLE QUASI MACCHINE

Text regarding the manufacturer's responsibility and the CE mark declaration for the pump.

D DESCRIZIONE DELLA MACCHINA

Description of the pump's features, including its self-priming capability and various accessories.

E AVVERTENZE GENERALI

General safety warnings for the user, covering handling, installation, and operation.

F NORME DI PRONTO SOCCORSO

Emergency procedures for various situations, such as electrical shocks or mechanical failures.

G NORME GENERALI DI SICUREZZA

General safety rules and instructions for the safe use of the pump.

H1 PRESTAZIONI

Table showing performance characteristics like flow rate, head, and power consumption under different conditions.

I DATI ELETTRICI

Table with electrical specifications including model, power, current, voltage, and maximum flow rate.

L CONDIZIONI OPERATIVE

Operating conditions and environmental requirements for the pump's use.

M1 CONTROLLI PRELIMINARI

Checklist of items to verify before starting the pump, such as power supply and hose connections.

ITALIANO (Lingua originale)

M2 POSIZIONAMENTO DELLA POMPA

Instructions on how to correctly position and secure the pump during installation.

M3 CONSIDERAZIONI SULLE LINEE DI MANDATA ED ASPIRAZIONE

Guidelines for the correct installation and routing of the suction and discharge pipes.

M4 ACCESSORI DI LINEA

Information about compatible accessories and components for the pump's piping system.

M5 ACCESSORI DI LINEA

Additional details regarding the use and selection of line accessories.

M6 ACCESSORI DI LINEA

Further instructions on the installation and use of various line accessories.

M7 ACCESSORI DI LINEA

Final instructions and safety notes related to the pump's accessories.

M8 ACCESSORI DI LINEA

Instructions on the correct use and maintenance of the pump's accessories.

M9 ACCESSORI DI LINEA

Additional safety and usage information for the pump's accessories.

M10 ACCESSORI DI LINEA

Final safety and usage instructions for the pump's accessories.

M11 ACCESSORI DI LINEA

Instructions on the correct use and maintenance of the pump's accessories.

M12 ACCESSORI DI LINEA

Additional safety and usage information for the pump's accessories.

M13 ACCESSORI DI LINEA

Final safety and usage instructions for the pump's accessories.

M14 ACCESSORI DI LINEA

Instructions on the correct use and maintenance of the pump's accessories.

ITALIANO (Lingua originale)

M5 ACCESSORI DI LINEA

Instructions on the correct use and maintenance of the pump's accessories.

M6 ACCESSORI DI LINEA

Additional safety and usage information for the pump's accessories.

M7 ACCESSORI DI LINEA

Further instructions on the installation and use of various line accessories.

M8 ACCESSORI DI LINEA

Instructions on the correct use and maintenance of the pump's accessories.

M9 ACCESSORI DI LINEA

Additional safety and usage information for the pump's accessories.

M10 ACCESSORI DI LINEA

Final safety and usage instructions for the pump's accessories.

M11 ACCESSORI DI LINEA

Instructions on the correct use and maintenance of the pump's accessories.

M12 ACCESSORI DI LINEA

Additional safety and usage information for the pump's accessories.

M13 ACCESSORI DI LINEA

Final safety and usage instructions for the pump's accessories.

M14 ACCESSORI DI LINEA

Instructions on the correct use and maintenance of the pump's accessories.

M15 ACCESSORI DI LINEA

Additional safety and usage information for the pump's accessories.

M16 ACCESSORI DI LINEA

Final safety and usage instructions for the pump's accessories.

M17 ACCESSORI DI LINEA

Instructions on the correct use and maintenance of the pump's accessories.

ITALIANO (Lingua originale)

M18 ACCESSORI DI LINEA

Instructions on the correct use and maintenance of the pump's accessories.

M19 ACCESSORI DI LINEA

Additional safety and usage information for the pump's accessories.

M20 ACCESSORI DI LINEA

Further instructions on the installation and use of various line accessories.

M21 ACCESSORI DI LINEA

Instructions on the correct use and maintenance of the pump's accessories.

M22 ACCESSORI DI LINEA

Additional safety and usage information for the pump's accessories.

M23 ACCESSORI DI LINEA

Final safety and usage instructions for the pump's accessories.

M24 ACCESSORI DI LINEA

Instructions on the correct use and maintenance of the pump's accessories.

M25 ACCESSORI DI LINEA

Additional safety and usage information for the pump's accessories.

M26 ACCESSORI DI LINEA

Final safety and usage instructions for the pump's accessories.

M27 ACCESSORI DI LINEA

Instructions on the correct use and maintenance of the pump's accessories.

M28 ACCESSORI DI LINEA

Additional safety and usage information for the pump's accessories.

M29 ACCESSORI DI LINEA

Final safety and usage instructions for the pump's accessories.

M30 ACCESSORI DI LINEA

Instructions on the correct use and maintenance of the pump's accessories.

ITALIANO (Lingua originale)

M31 ACCESSORI DI LINEA

Instructions on the correct use and maintenance of the pump's accessories.

M32 ACCESSORI DI LINEA

Additional safety and usage information for the pump's accessories.

M33 ACCESSORI DI LINEA

Further instructions on the installation and use of various line accessories.

M34 ACCESSORI DI LINEA

Instructions on the correct use and maintenance of the pump's accessories.

M35 ACCESSORI DI LINEA

Additional safety and usage information for the pump's accessories.

M36 ACCESSORI DI LINEA

Final safety and usage instructions for the pump's accessories.

M37 ACCESSORI DI LINEA

Instructions on the correct use and maintenance of the pump's accessories.

M38 ACCESSORI DI LINEA

Additional safety and usage information for the pump's accessories.

M39 ACCESSORI DI LINEA

Final safety and usage instructions for the pump's accessories.

M40 ACCESSORI DI LINEA

Instructions on the correct use and maintenance of the pump's accessories.

M41 ACCESSORI DI LINEA

Additional safety and usage information for the pump's accessories.

M42 ACCESSORI DI LINEA

Final safety and usage instructions for the pump's accessories.

M43 ACCESSORI DI LINEA

Instructions on the correct use and maintenance of the pump's accessories.

ITALIANO (Lingua originale)

M44 ACCESSORI DI LINEA

Instructions on the correct use and maintenance of the pump's accessories.

M45 ACCESSORI DI LINEA

Additional safety and usage information for the pump's accessories.

M46 ACCESSORI DI LINEA

Further instructions on the installation and use of various line accessories.

M47 ACCESSORI DI LINEA

Instructions on the correct use and maintenance of the pump's accessories.

M48 ACCESSORI DI LINEA

Additional safety and usage information for the pump's accessories.

M49 ACCESSORI DI LINEA

Final safety and usage instructions for the pump's accessories.

M50 ACCESSORI DI LINEA

Instructions on the correct use and maintenance of the pump's accessories.

M51 ACCESSORI DI LINEA

Additional safety and usage information for the pump's accessories.

M52 ACCESSORI DI LINEA

Final safety and usage instructions for the pump's accessories.

M53 ACCESSORI DI LINEA

Instructions on the correct use and maintenance of the pump's accessories.

M54 ACCESSORI DI LINEA

Additional safety and usage information for the pump's accessories.

M55 ACCESSORI DI LINEA

Final safety and usage instructions for the pump's accessories.

M56 ACCESSORI DI LINEA

Instructions on the correct use and maintenance of the pump's accessories.

ITALIANO (Lingua originale)

M57 ACCESSORI DI LINEA

Instructions on the correct use and maintenance of the pump's accessories.

M58 ACCESSORI DI LINEA

Additional safety and usage information for the pump's accessories.

M59 ACCESSORI DI LINEA

Further instructions on the installation and use of various line accessories.

M60 ACCESSORI DI LINEA

Instructions on the correct use and maintenance of the pump's accessories.

M61 ACCESSORI DI LINEA

Additional safety and usage information for the pump's accessories.

M62 ACCESSORI DI LINEA

Final safety and usage instructions for the pump's accessories.

M63 ACCESSORI DI LINEA

Instructions on the correct use and maintenance of the pump's accessories.

M64 ACCESSORI DI LINEA

Additional safety and usage information for the pump's accessories.

M65 ACCESSORI DI LINEA

Final safety and usage instructions for the pump's accessories.

M66 ACCESSORI DI LINEA

Instructions on the correct use and maintenance of the pump's accessories.

M67 ACCESSORI DI LINEA

Additional safety and usage information for the pump's accessories.

M68 ACCESSORI DI LINEA

Final safety and usage instructions for the pump's accessories.

M69 ACCESSORI DI LINEA

Instructions on the correct use and maintenance of the pump's accessories.