

VLP5000DD

Volume: 5000 L

Diameter: 2460 mm

Height: 1970 mm

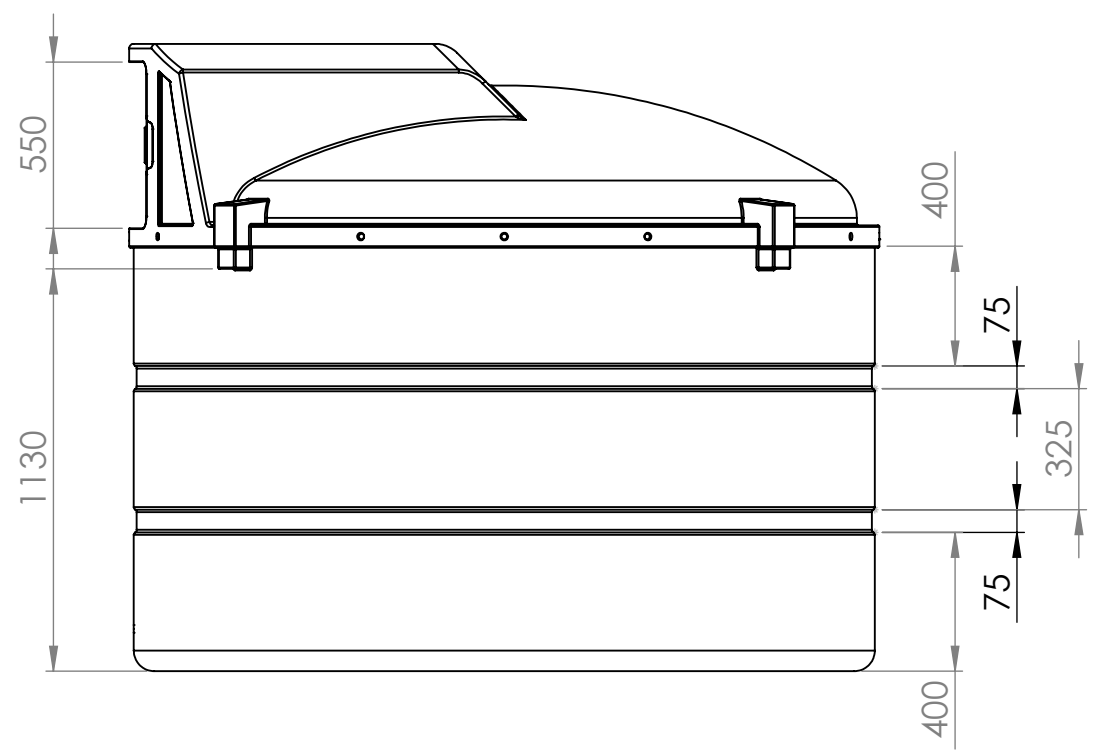
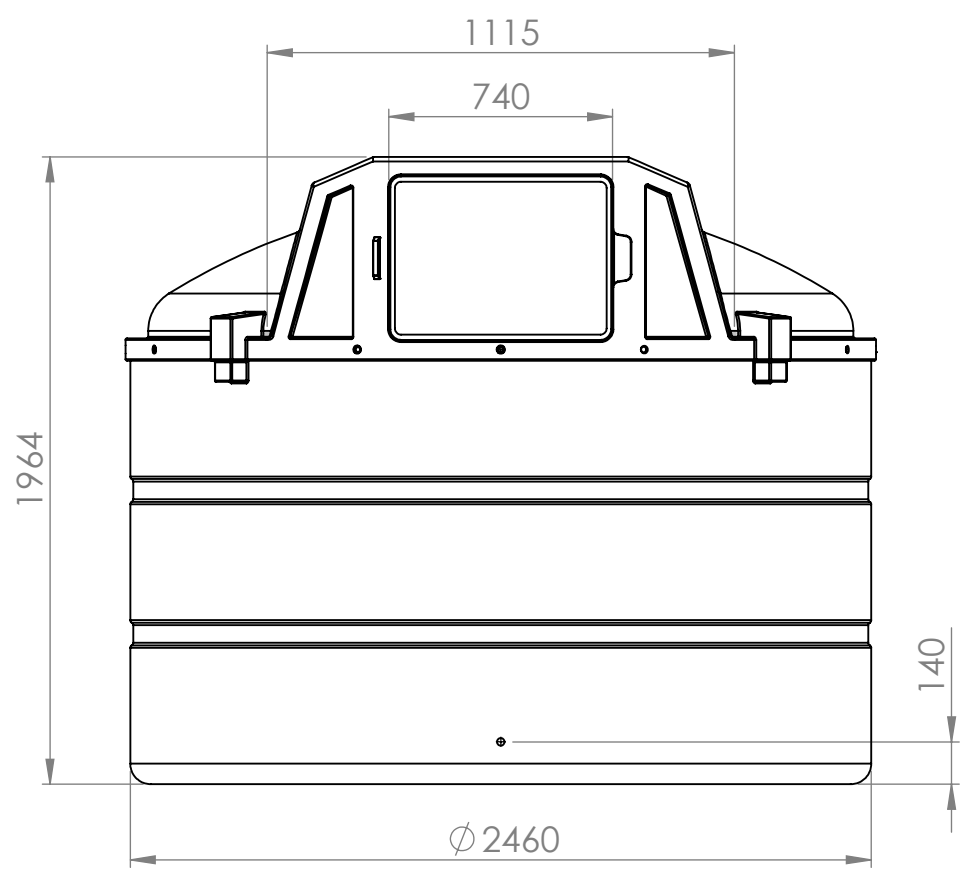
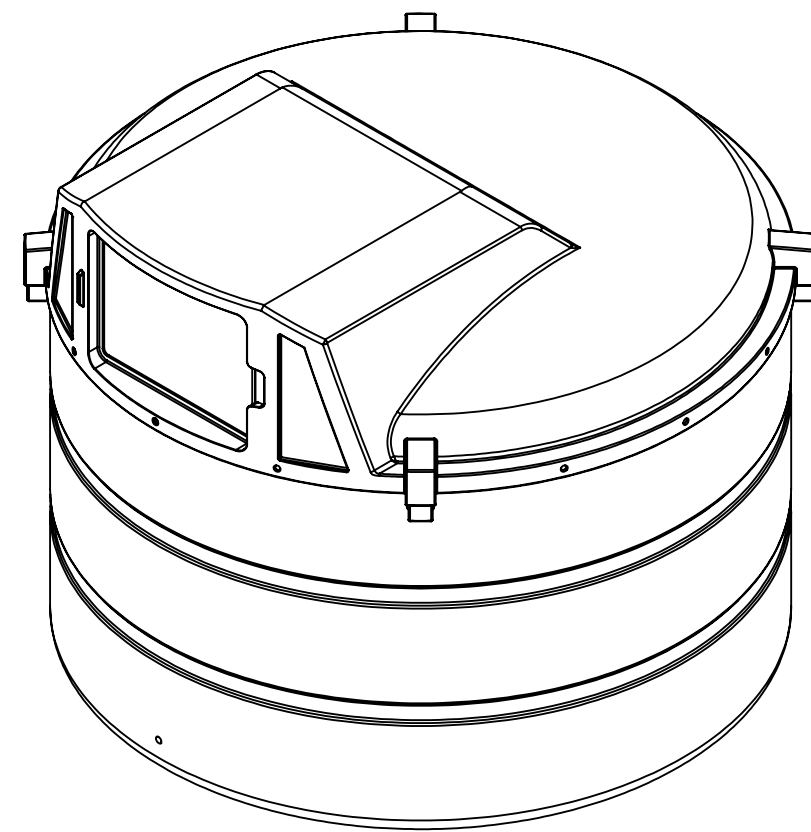
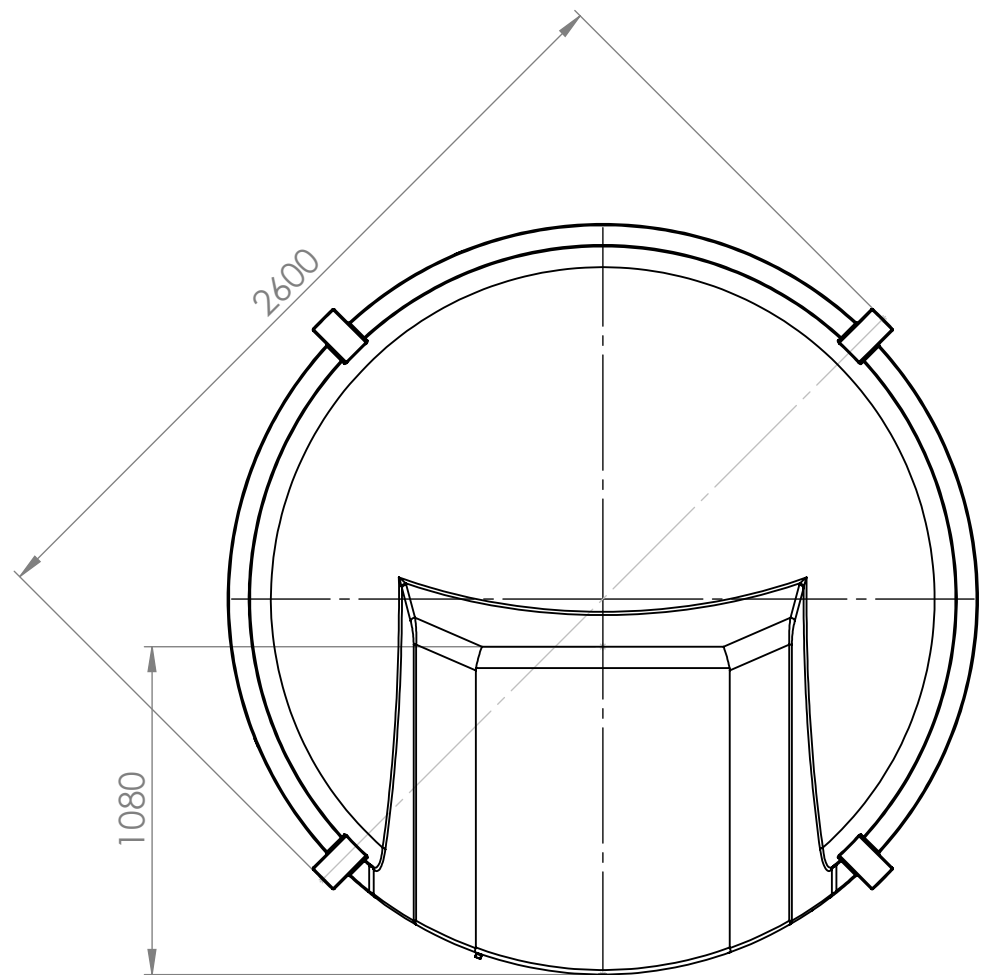
All dimensions in mm

Scale: Not to scale

Deos Engineering reserve the right to alter the details of this drawing without prior notice. This drawing is copyright and may not be reproduced or used without the written permission of Deso Engineering.

Drawing : DESO VLP5000DD Bund

DESO



Please check with Deso Engineering that this drawing is the latest issue

Issue	Date	Drawn by	Approved by	Description
01	08/03/13	S.Widdicombe		Initial Release

All dimensions in mm

Scale: Not to scale

Deos Engineering reserve the right to alter the details of this drawing without prior notice. This drawing is copyright and may not be reproduced or used without the written permission of Deso Engineering.

Drawing : DESO VLP500DD Bund

