

Technical Data

RETRACTABLE ENCLOSED HOSE REEL



Applies to the following models **only**:

- HRE15.12C - HREAW15.10C - HREG15.6C

Please read carefully before commencing installation

Registered Office: HYTEK (GB) LIMITED, Delta House, Green Street, Elsenham, Bishop's Stortford
CM22 6DS UK. Registered in England No. 1915382

Tel: +44 (0) 1279 815 600 Fax: +44 (0) 1279 812 978 email: info@hytekgb.com

Web: www.hytekgb.com

IMPORTANT WARNING NOTES

Read carefully and understand all instructions before operating. Failure to follow the safety rules and other basic safety precautions may result in serious personal injury. Keep these instructions in a safe place and on hand so that they can be read when required.

SAFETY PRECAUTIONS

1. Read and understand all instructions.
2. The warnings, cautions, and instructions discussed in this instruction manual cannot cover all possible conditions or situations that could occur whilst operating this hose reel. It must be understood that common sense and caution need to be applied by the operator.
3. Use suitable personal protective equipment when assembling, operating or maintaining this hose reel.
4. Ensure that the reel is properly installed before connecting inlet or outlet hoses.
5. Bleed fluid or gas pressure from the system before servicing the reel.
6. Before connecting the reel to the supply ensure that the pressure does not exceed the maximum working pressure rating of the reel.
7. If a leak occurs or if the reel ceases to unwind or rewind remove system pressure immediately.

PRODUCT DESCRIPTION

Heavy-duty steel constructed cased hose reel supplied with hose. Designed for delivering oil, water or grease (model dependent). The reel can be wall, ceiling, bench or floor mounted.

INSTALLATION INSTRUCTIONS

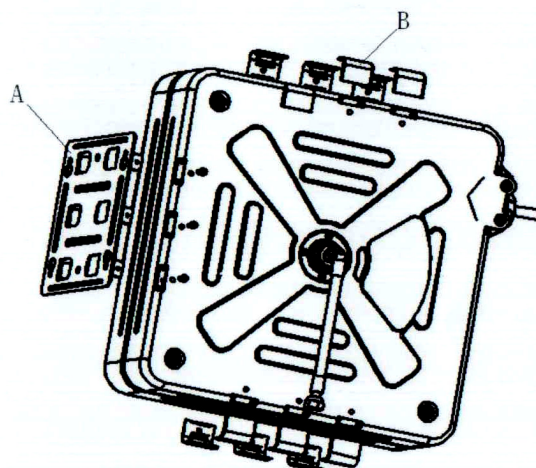


fig1

FITTING THE BRACKET – SEE FIG.1.

1. Fix the bracket (A) to the reel housing in the desired location.
2. Fit the black plastic blanking plugs (B) into the free holes.

HOSE REEL INSTALLATION

1. Prior to mounting the reel, ensure that the supply pressure does not exceed the maximum working pressure of the hose reel.
2. The reel can be mounted using the fixed fitted mounting bracket by positioning the reel on the floor, wall or ceiling and securing into place. See FIG.2 for mounting dimensions. The reel can also be mounted using the additional two part swivel mounting bracket supplied – see FIG.3. See FIG.4 for mounting dimensions. Ensure that the supplies circlips, Allen bolts and nylon loc-nuts are used to secure the two mounting plates.

FIG.2 – FIXED FITTED MOUNTING BRACKET MOUNTING DIMENSIONS

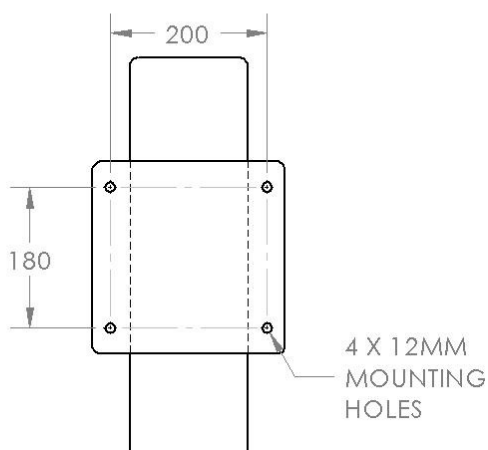


FIG.3 – MOUNTING USING THE ADDITIONAL TWO PART BRACKET

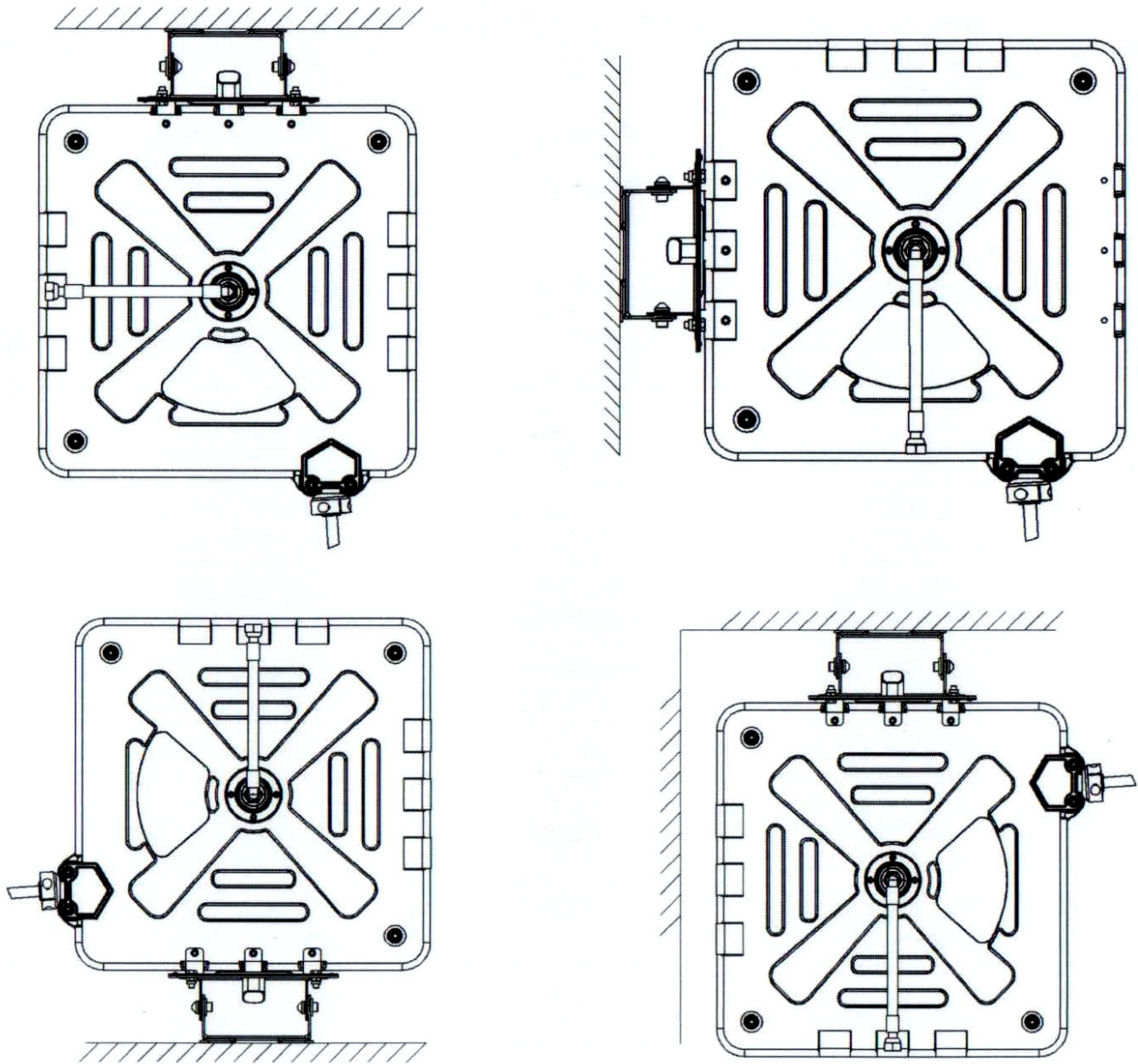
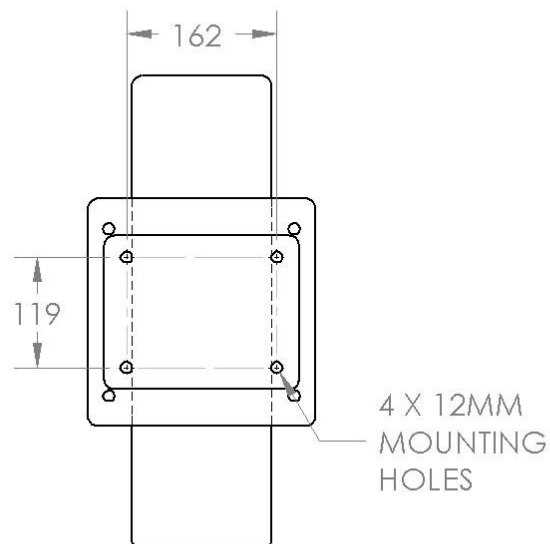


FIG.4 – SWIVEL MOUNTING BRACKET MOUNTING DIMENSIONS



OPERATING INSTRUCTIONS

1. Slowly pull the hose from the reel. A clicking noise will be heard for every half revolution of the reel.
2. To latch the reel, pull the hose to the desired length and then allow it to retract slightly until you hear a second or third click. The hose is now latched.
3. To unlatch, slowly pull out the hose from the reel until the clicking stops and then slowly let the cable retract until the hose bumper rests against the reel guide.

MAINTENANCE

- **WARNING – DISMANTLING OF THE UNIT BY UNSKILLED PERSONNEL COULD PROVE HAZARDOUS AS THIS UNIT CONTAINS PRELOADED SPRINGS.**

- To adjust the tension of the reel you will need to add or remove wraps of hose from the reel one wrap at a time until the desired tension is achieved. Add wraps to increase tension, remove wraps to decrease tension.

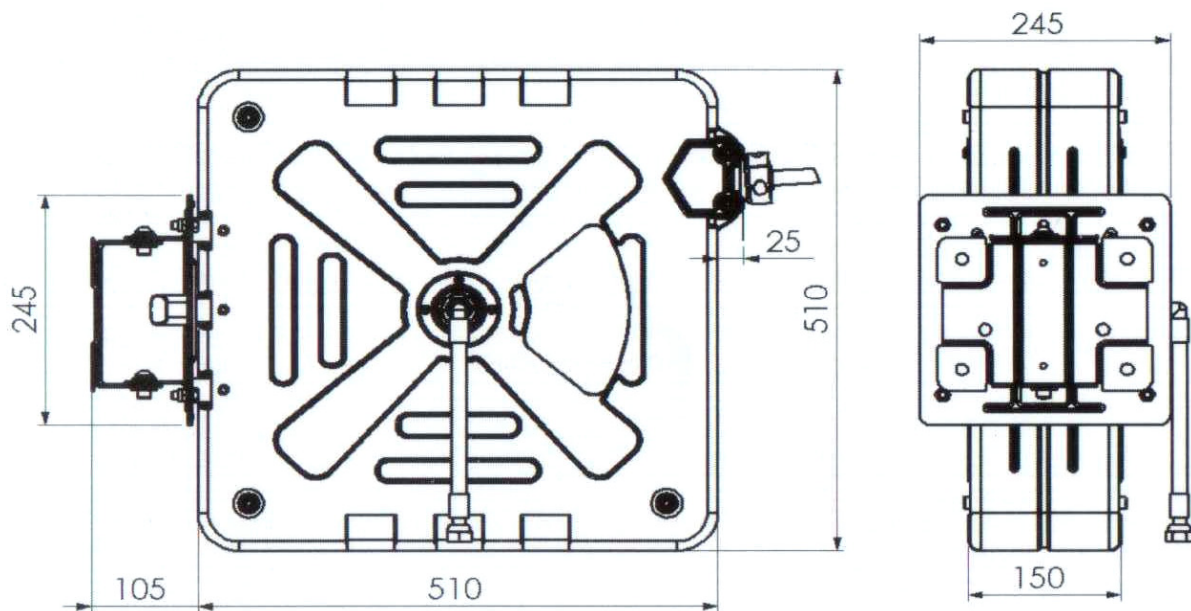
WARNING - ALWAYS ENSURE THAT THE REEL IS CORRECTLY SECURED AND LATCHED WHILST UNDERTAKING THIS PROCEDURE TO PREVENT INJURY.

- Clean the reel using warm soapy water. Do not clean using solvents that may damage the reel casing or hose.

TECHNICAL DATA

REEL MODEL	MAX PRESSURE	WORKING TEMP	HOSE MATERIAL	HOSE I.D.	HOSE LENGTH
HREAW15.10C	20 BAR	-30°C to 100°C	RUBBER	3/8"	15m
HRE15.12C	138 BAR	-30°C to 100°C	SAE R1	1/2"	15m
HREG15.6C	276 BAR	-30°C to 100°C	SAE R2	1/4"	15m

DIMENSIONS



PLEASE USE THIS PAGE TO MAKE ANY NOTES

E.C. DECLARATION OF CONFORMITY

HYTEK
FUEL & LUBRICATION
EQUIPMENT



Date of Issue: 9th July 2010

Equipment Details: Hytek's Range Of Retractable Hose Reels

Applicable standards: Machinery Directive 2006/42/EC

The Pressure Equipment Regulations
1999 S.I. 1999/2001

Entry Into Force:- 29 November 1999

Amended to S.I. 2002/1267

Pressure Equipment Directive 97/23/EC

Authorized By: Clive Wellings
Technical Manager Hytek

Declaration Number: EC086