

DESO

ENGINEERING

Deso Engineering
Slade Way
Roughmoor Industrial Estate
Williton
Somerset
TA4 4TB

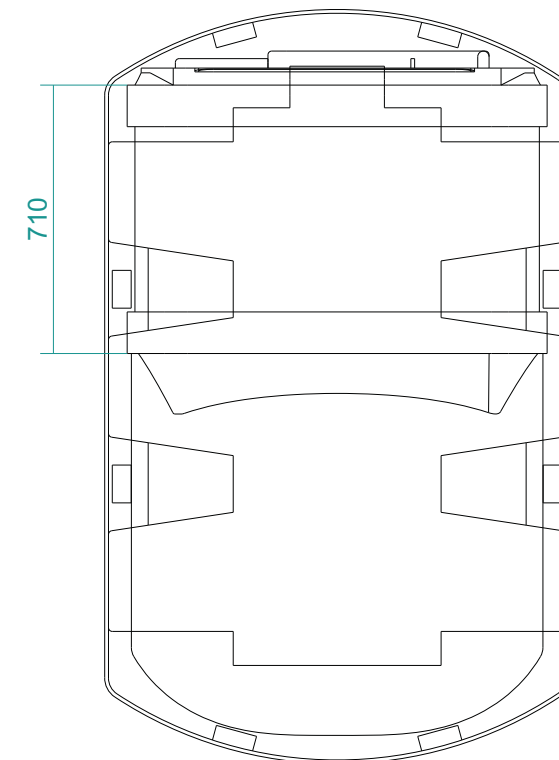
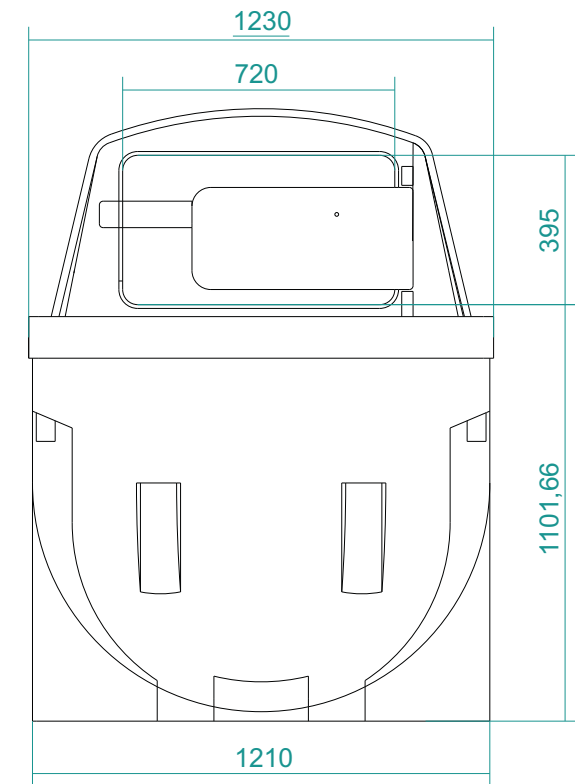
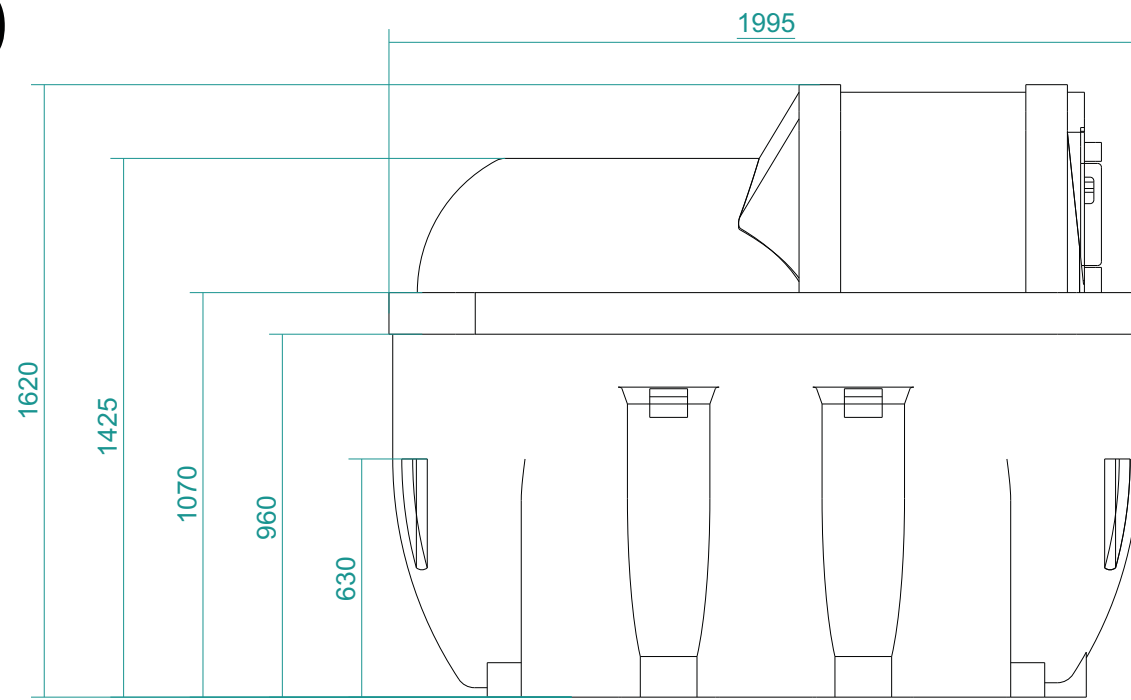
Telephone - 01984 632026
Fax - 01984 634267
enquiries@desoengineering.co.uk



H1235DD

Weight	165kg
Capacity	1235litres
Diameter	-
Length	1900mm
Width	1250mm
Height	1600mm
Ofcert licence No.	0668030708

H1235DD



H1235DD	No. 1 of 1	3rd Angle Orthographic	scale: 1:20	Design by Inky Design www.inky-design.co.uk
DESO ENGINEERING Telephone - 01984 632026		drawn by: Jonathan Taphouse (BEng)		
		date: 28 - 01 - 2008	ISO	