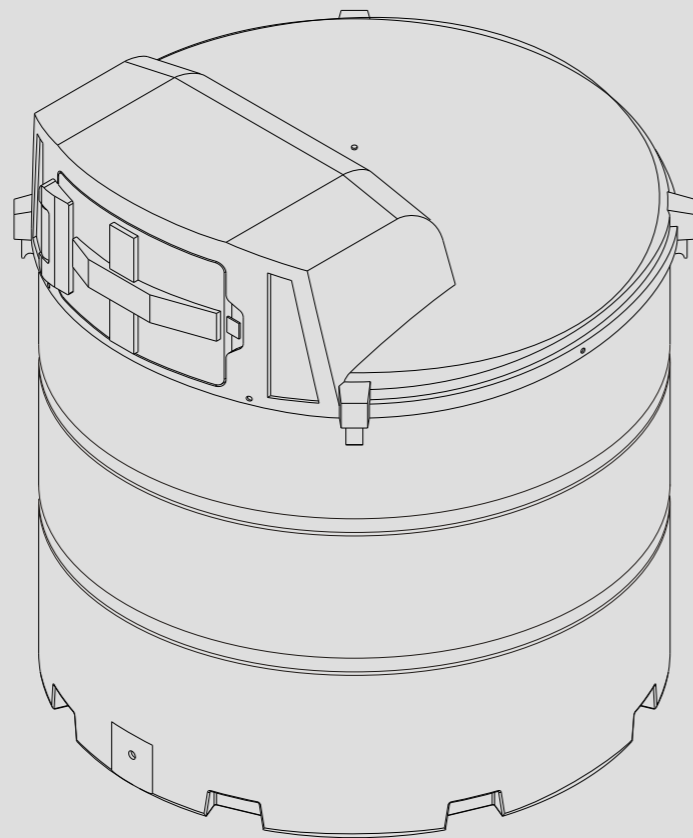


DESO

ENGINEERING

Deso Engineering
Slade Way
Roughmoor Industrial Estate
Williton
Somerset
TA4 4TB

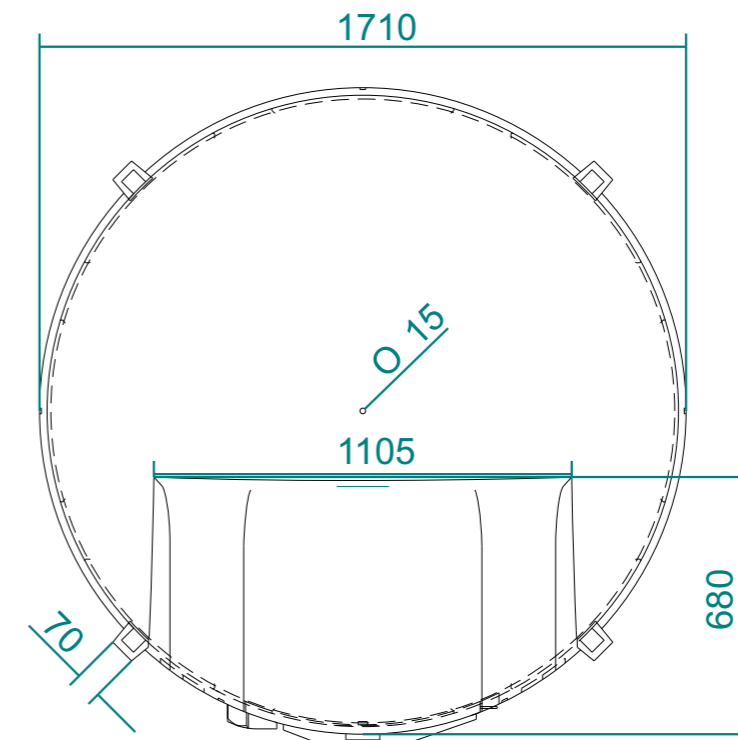
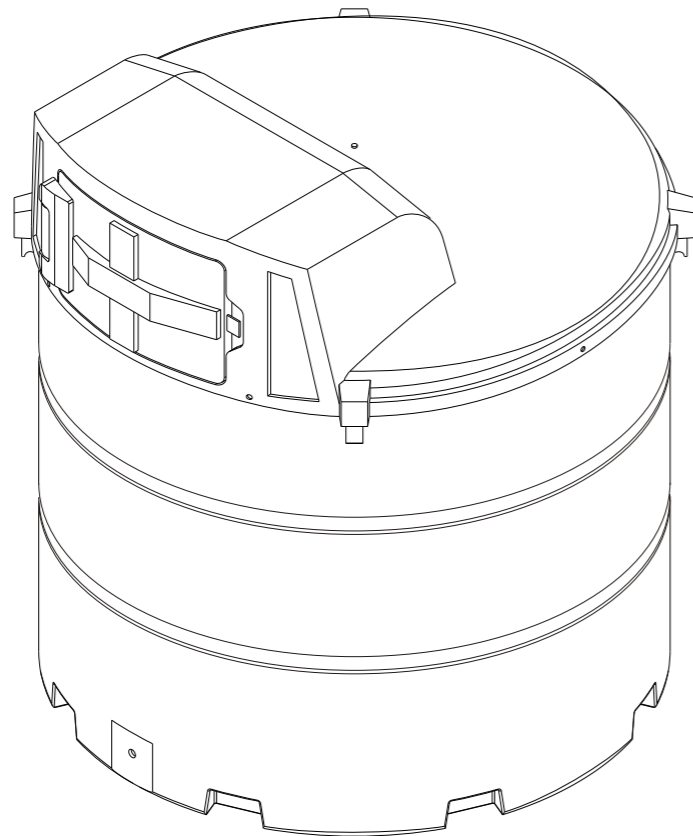
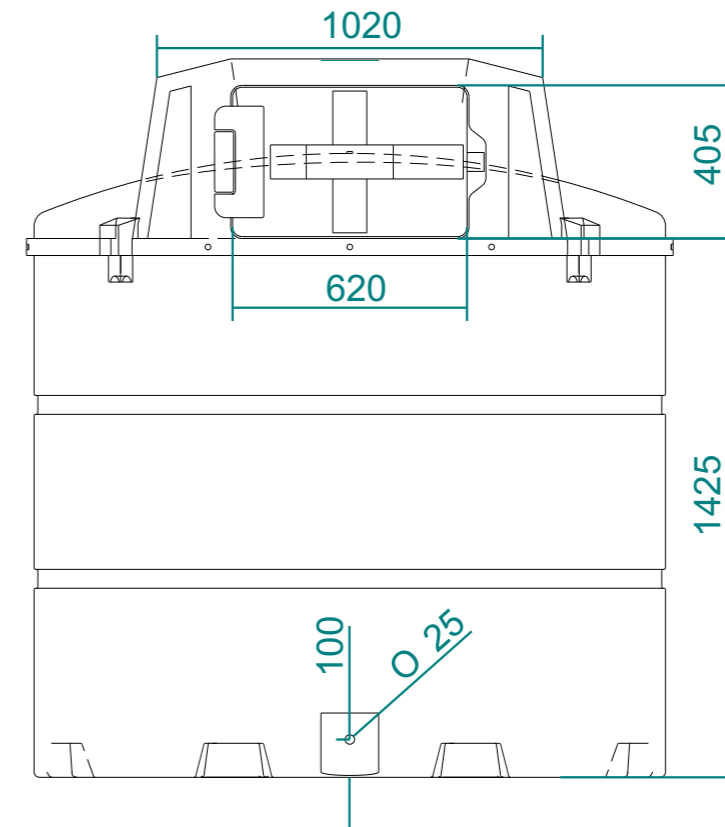
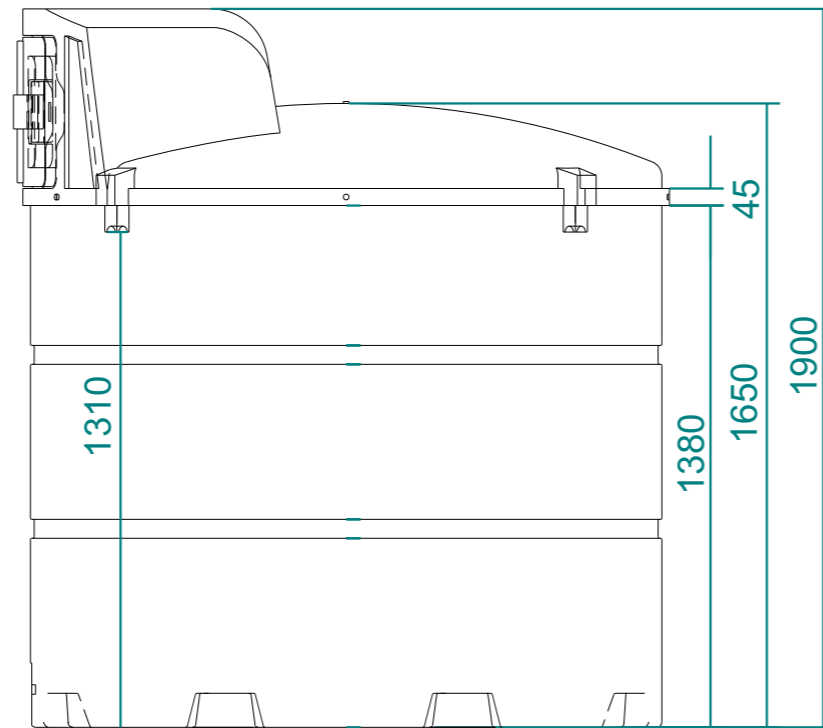
Telephone - 01984 632026
Fax - 01984 634267
enquiries@desoengineering.co.uk



V2350DD

Weight	-
Capacity	2350litres
Diameter	1710mm
Length	-
Width	-
Height	1900mm
Ofcert licence No.	

V2350DD



V2350DD	No. 1 of 1	3rd Angle Orthographic	scale: 1:20	Design by Inky Design www.inky-design.co.uk
DESO ENGINEERING Telephone - 01984 632026		drawn by: Jonathan Taphouse (BEng)		
		date: 22 - 12 - 2010	ISO	