

8 7 6 5 4 3 2 1

F

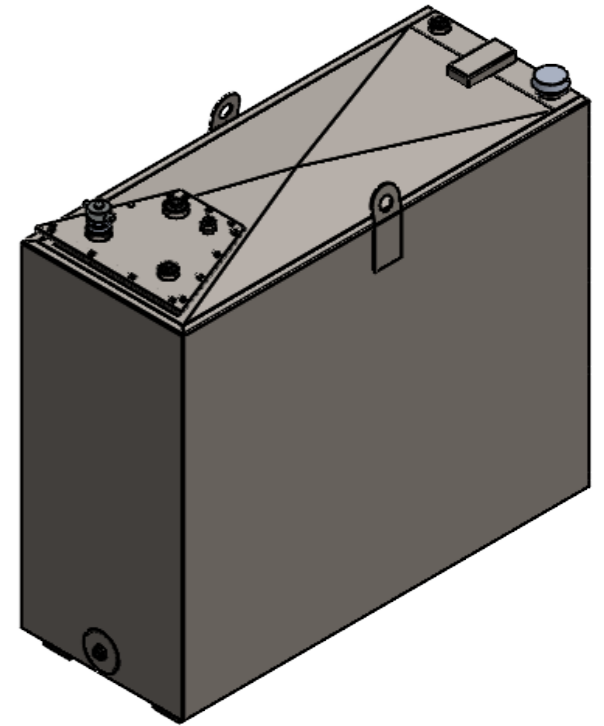
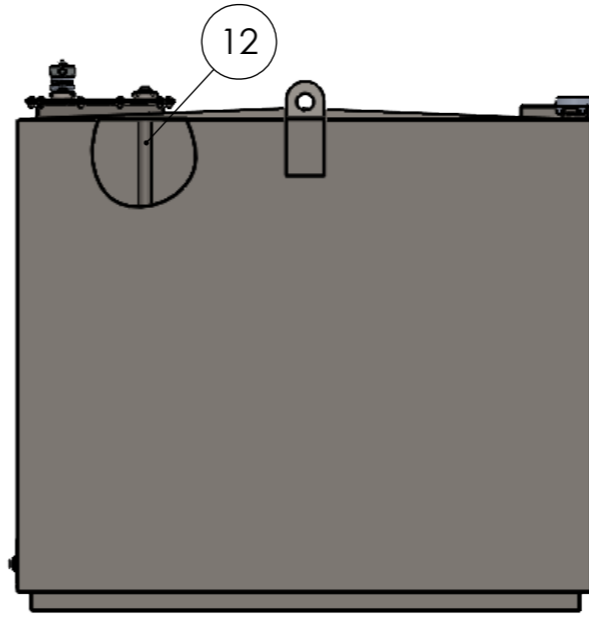
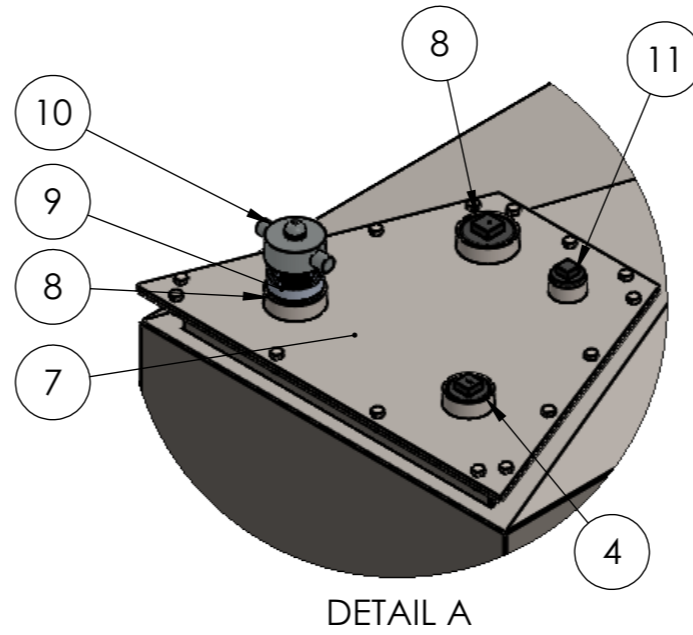
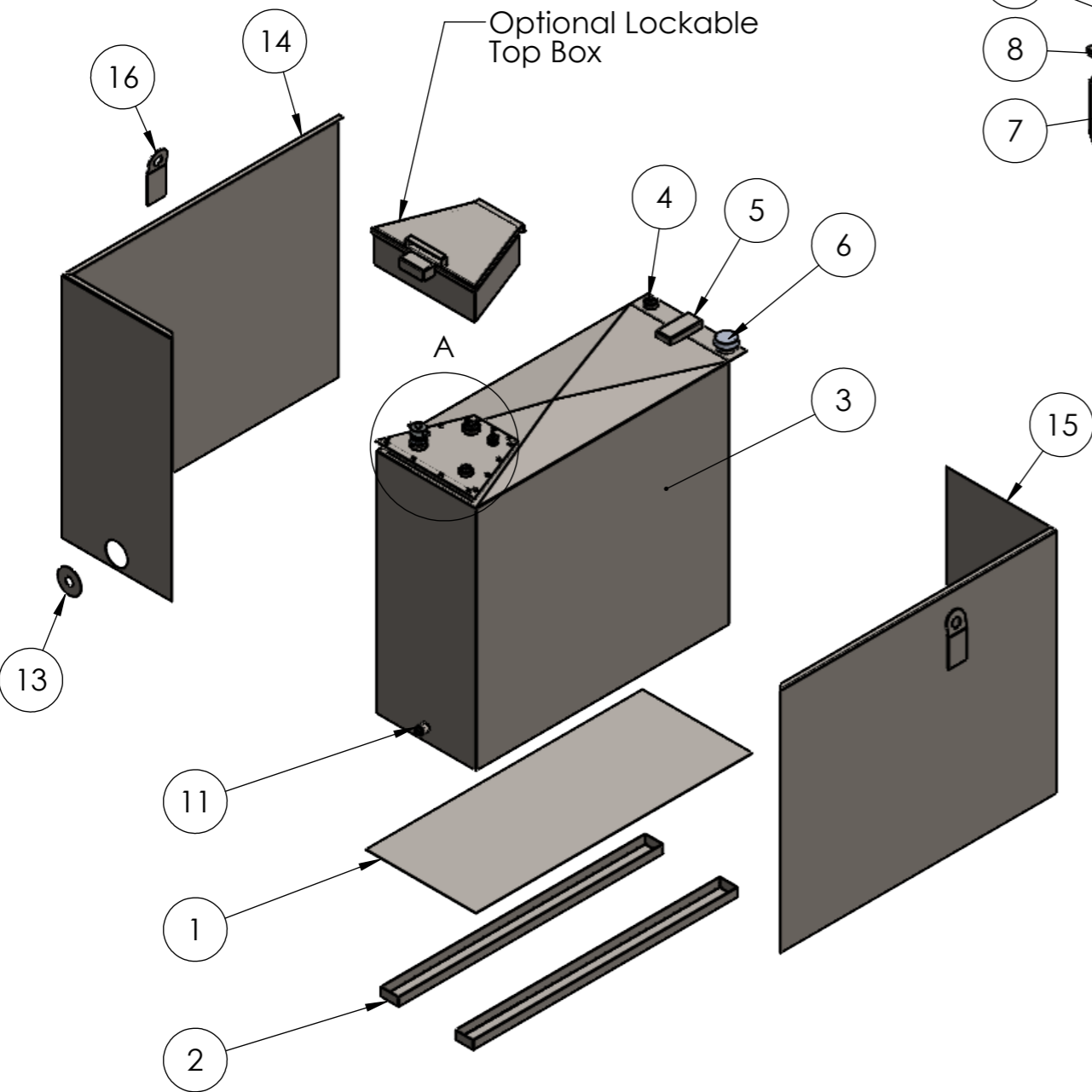
E

D

C

B

A



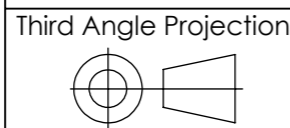
ITEM NO.	PART NUMBER	DESCRIPTION	QTY.
1	PRO.IMP.BSO-945	945 Imperium Outer Base	1
2	PRO.IMP.TCB-945	945 Imperium Channel Bearer	2
3	Imperium-945	Imperium-945 Inner Tank	1
4	ACC.PI.ST.HSO-1 1-2	Half Socket 1.5"	2
5	PRO.IMP.BVC	Imperium Bund Vent Cover	1
6	ACC.PI.ST.WNI-2	Weld Nipple - 2.0"	1
7	PRO.IMP.FPS-HOI	Imperium Heating Oil Fittings Plate (Small)	1
8	ACC.PI.ST.HSO-2	Half Socket 2"	2
9	ACC.FPN-2	Aluminium Fill Point Nipple - 2"	1
10	ACC.CAP.CA-2	Cap & Chain Aluminium - 2"	1
11	ACC.PI.ST.SO-1	Socket 1.0"	2
12	Imperium-945_HOI-01	Imperium-945 BUS 1 Inch Suction Pipe	1
13	PRO.IMP.BOF-1.0	Imperium Bottom Outlet Flange Plate	1
14	PRO.IMP.OFS-945	945 Imperium Outer Front & Side	1
15	PRO.IMP.OBS-945	945 Imperium Outer Back & Side	1
16	PRO.IMP.BLE-S	Imperium Bund Lifting Eye (Standard)	2

01	04/07/2025	Initial Drawing
Rev	Mod Date	Mod Description



Atlantis Tanks Group Ltd  
Tel: +44 (0)330 999 1100  
www.atlantistanks.co.uk

THIS DRAWING IS CONFIDENTIAL AND MAY NOT BE USED, COPIED OR DISCLOSED TO ANYONE WITHOUT THE PERMISSION OF ATLANTIS TANKS GROUP LTD 2025



Sheet: 1 OF 3

Tolerances: Upto ±20mm

Product Order Number & Product Code:  
TAN.HOI-945

Dry Weight: 222.44 Kg

Title:  
Imperium 945 For HOI

Scale:DNS

Units: mm

Drawn By

RMS

Drawn Date

13/03/2024

Checked By

KLM

Checked Date

04/07/2025

Approved By

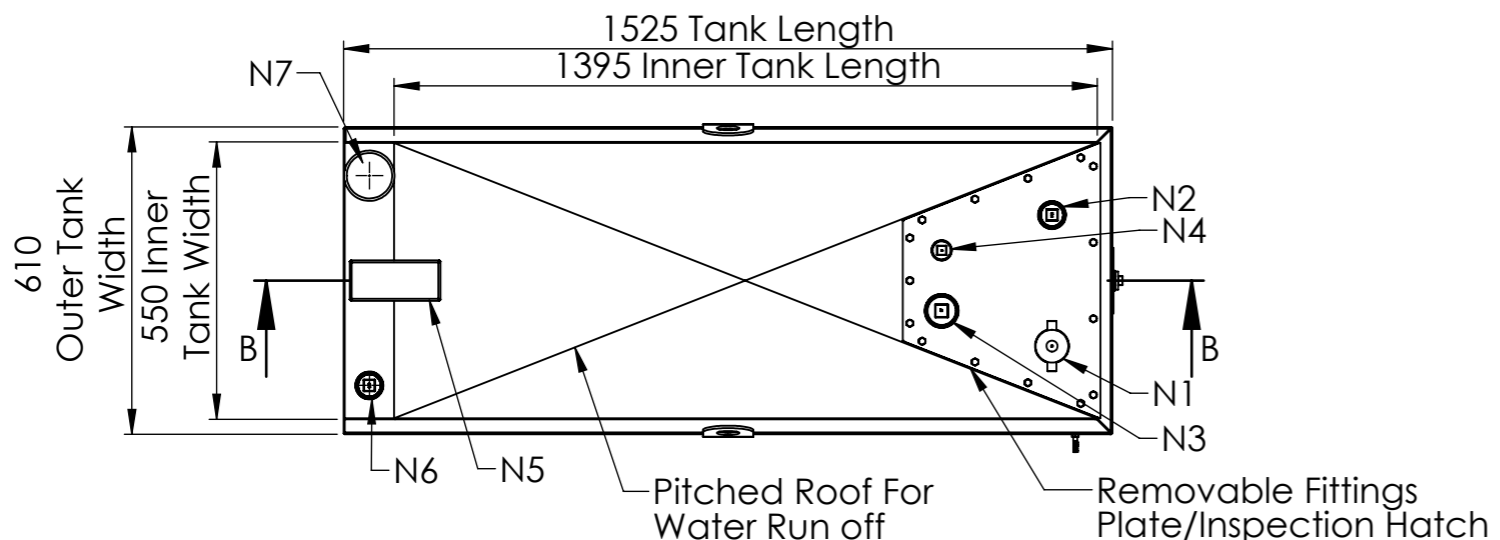
JRM

Approved Date

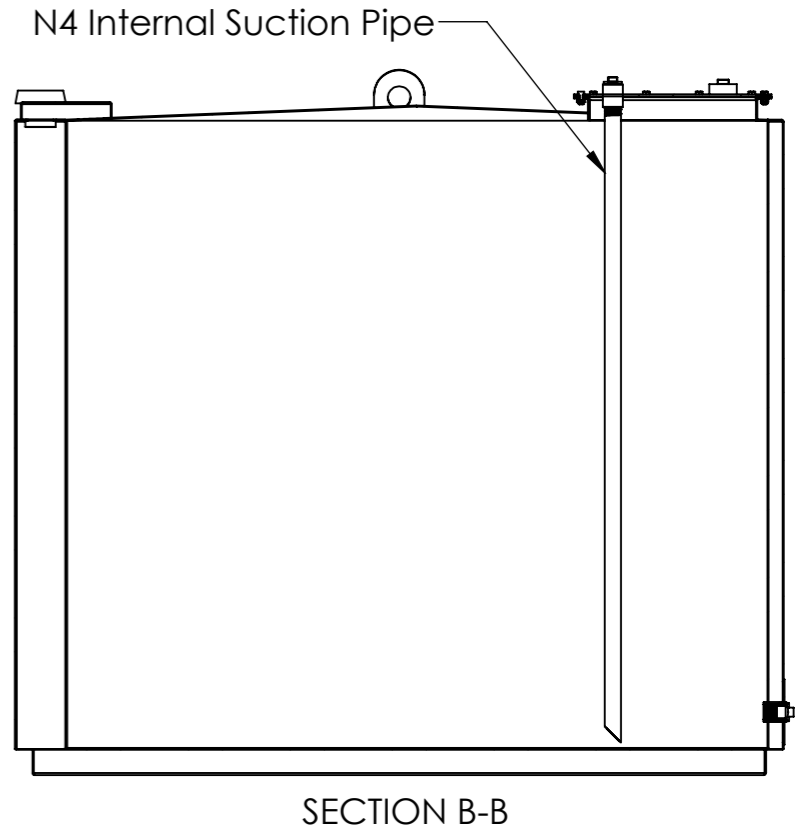
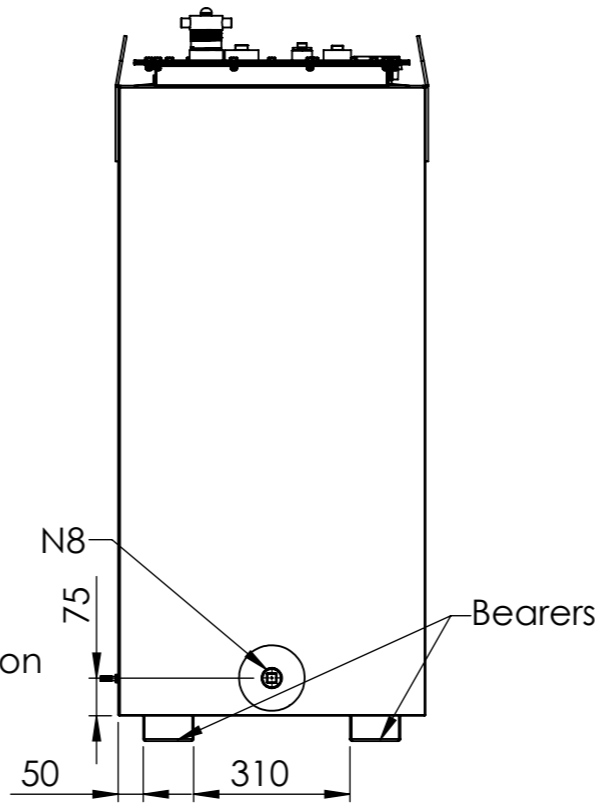
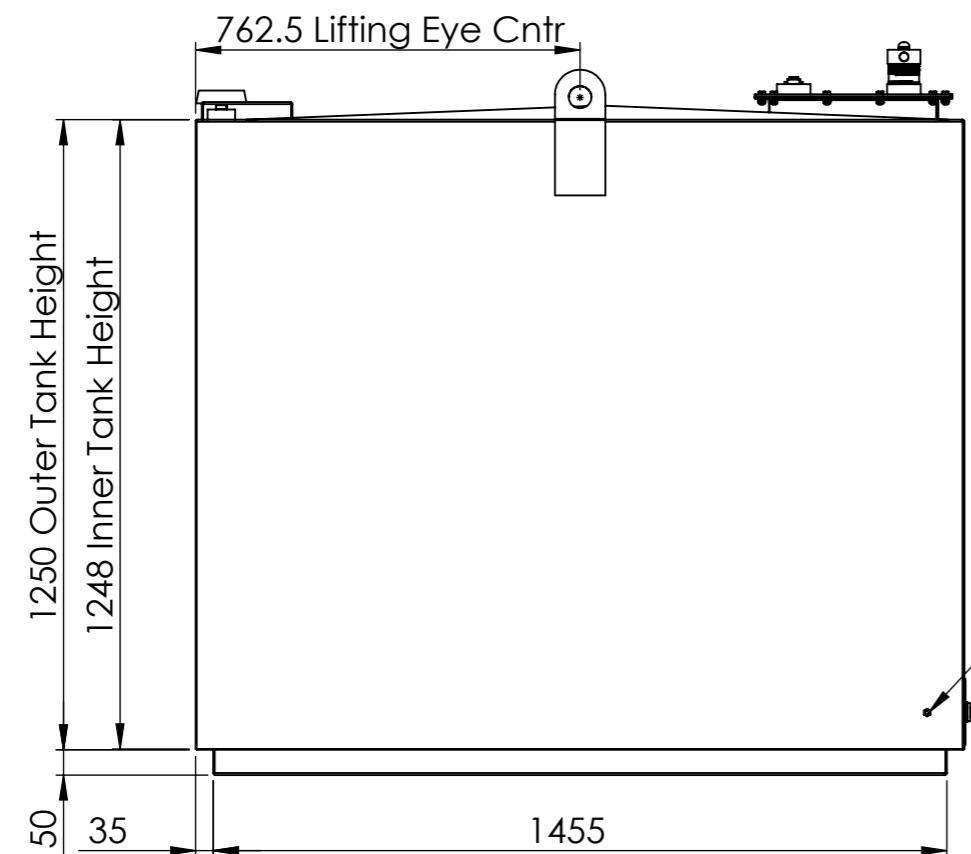
04/07/2025

8 7 6 5 4 3 2 1

Standard Version

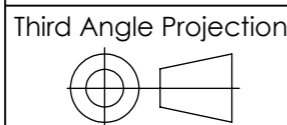


Nozzle Connection	Description	Pipe Size/Socket Size (Inches)
N1	Tank Socket BSPP (F) For Fill Point C/W Drip Cap & Chain	2
N2	Tank Socket BSPP (F) For Contents Gauge	1.5
N3	Tank Socket BSPP (F) (Spare)	2
N4	Tank Socket BSPP (F) Top Suction With Internal Suction Pipe	1
N5	Tank To Bund Vent	2
N6	Bund Socket BSPP (F) For Bund Alarm Probe	1.5
N7	Bund Socket BSPP (M) For Bund To Atmosphere Vent	2
N8	Bottom Outlet	1



Atlantis Tanks Group Ltd  
Tel: +44 (0)330 999 1100  
www.atlantistanks.co.uk

THIS DRAWING IS CONFIDENTIAL AND MAY NOT BE USED, COPIED OR DISCLOSED TO ANYONE WITHOUT THE PERMISSION OF ATLANTIS TANKS GROUP LTD 2025



Rev: 01  
Sheet: 2 OF 3

Product Order Number & Product Code:  
TAN.HOI-945

Dry Weight: 222.44 kg  
Tolerances: Upto ±20mm

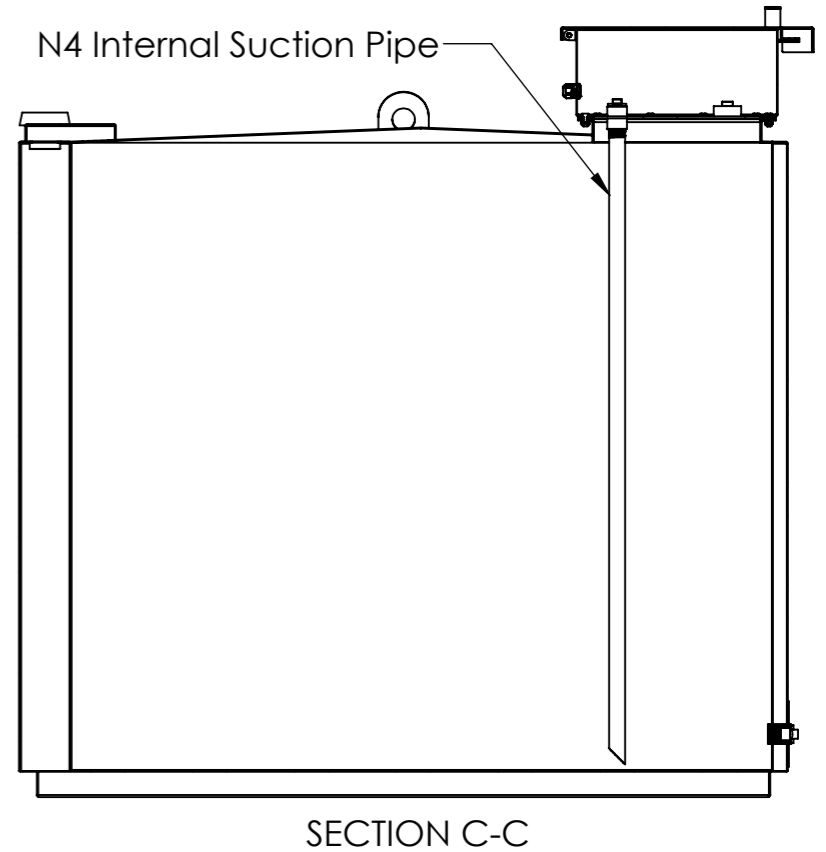
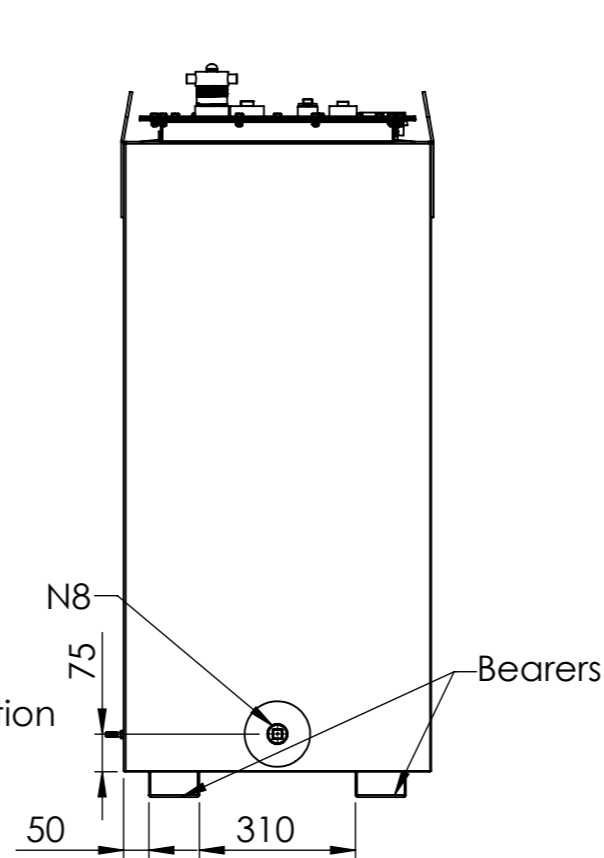
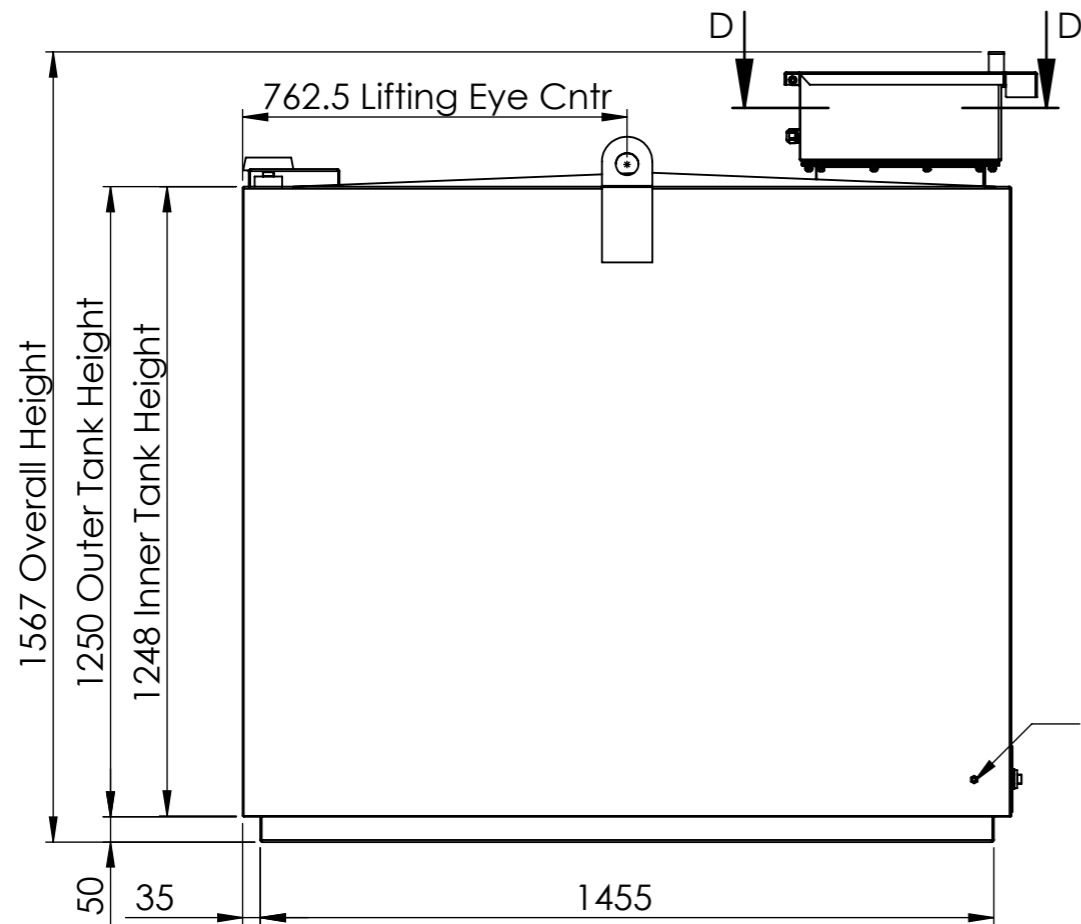
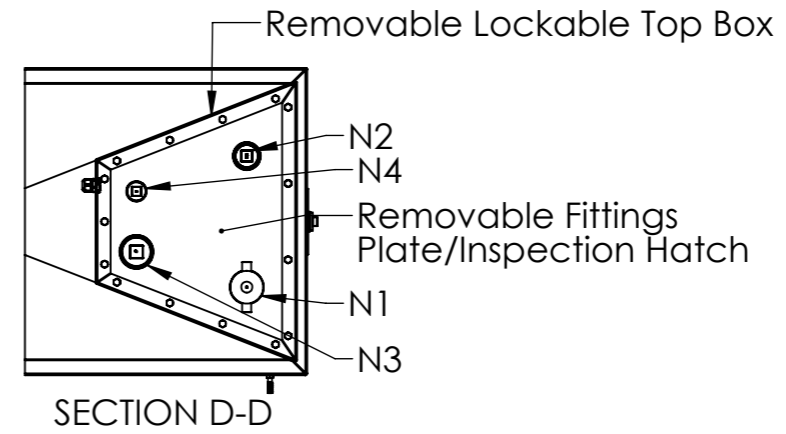
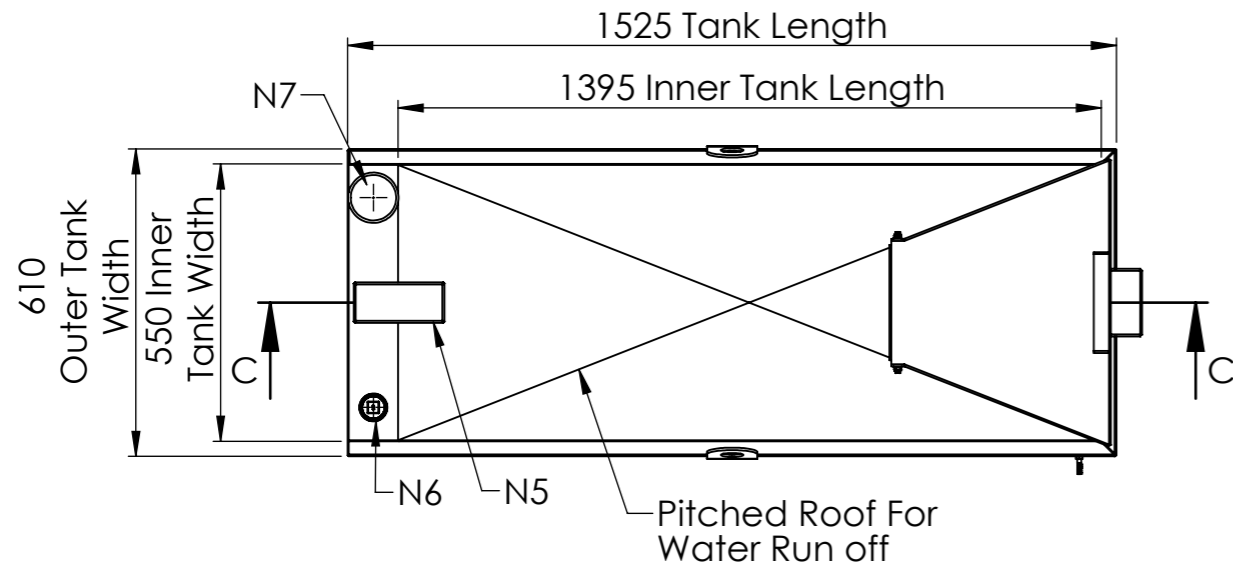
Title:  
Imperium 945 For HOI

Scale: DNS  
Units: mm

Product Range:  
Imperium

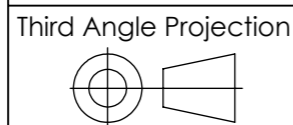
Drawn By	Drawn Date	Checked By	Checked Date	Approved By	Approved Date
RMS	13/03/2024	KLM	04/07/2025	JRM	04/07/2025

Lockable Top Box Option



Atlantis Tanks Group Ltd  
Tel: +44 (0)330 999 1100  
www.atlantistanks.co.uk

THIS DRAWING IS CONFIDENTIAL AND MAY NOT BE USED, COPIED OR DISCLOSED TO ANYONE WITHOUT THE PERMISSION OF ATLANTIS TANKS GROUP LTD 2025



Rev:01

Sheet: 3 OF 3

Product Order Number & Product Code:  
TAN.HOI-945

Dry Weight: 232.06 kg

Tolerances: Upto ±20mm

Title:  
Imperium 945 For HOI

Scale:DNS

Units: mm

Product Range:  
Imperium

Drawn By	Drawn Date	Checked By	Checked Date	Approved By	Approved Date
RMS	13/03/2024	KLM	04/07/2025	JRM	04/07/2025