

8 7 6 5 4 3 2 1

F

E

D

C

B

A

F

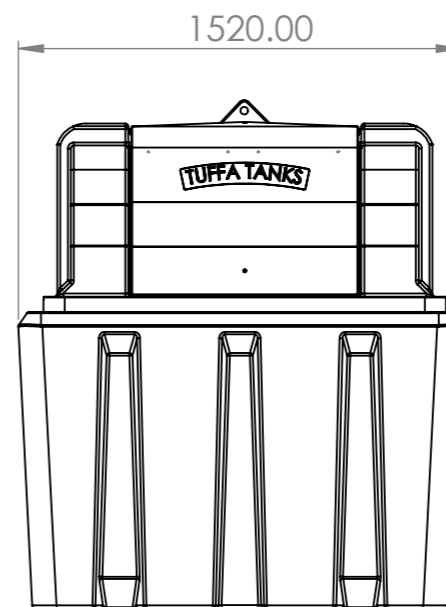
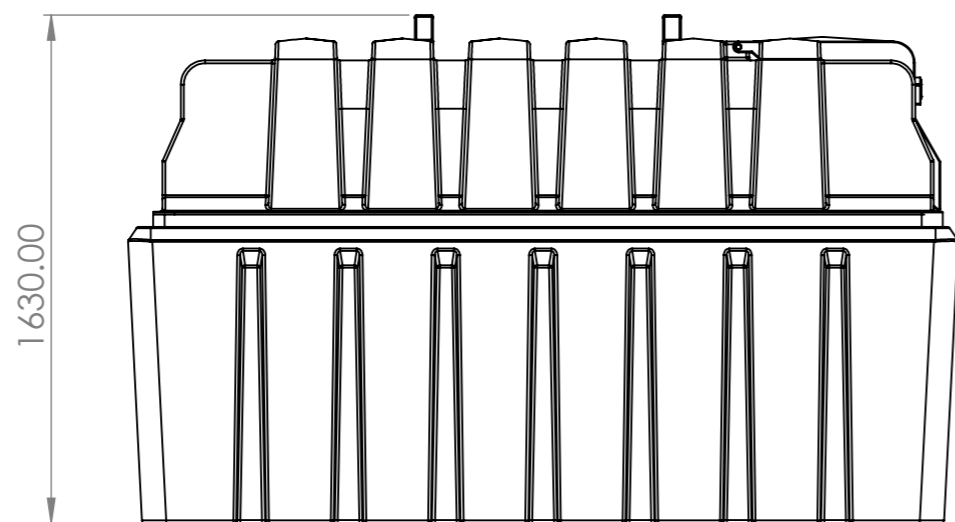
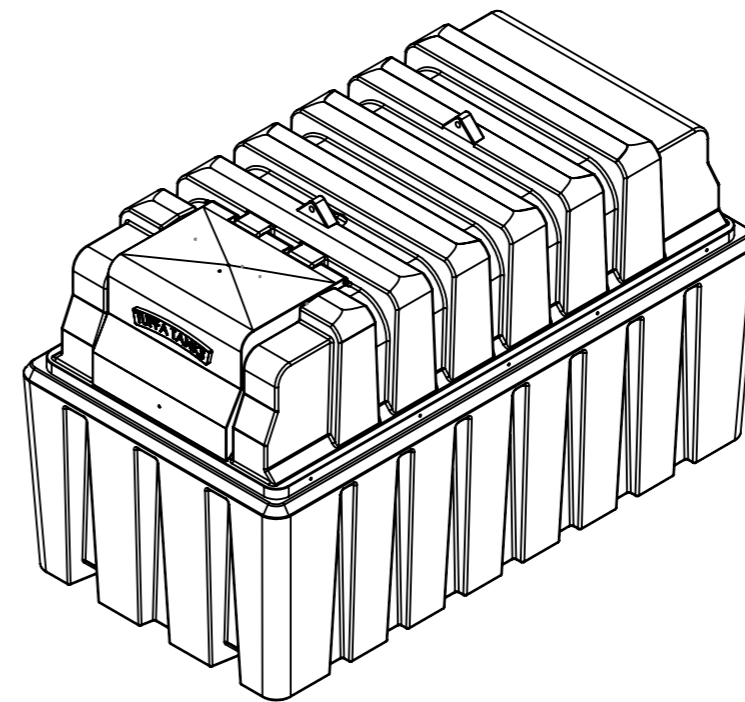
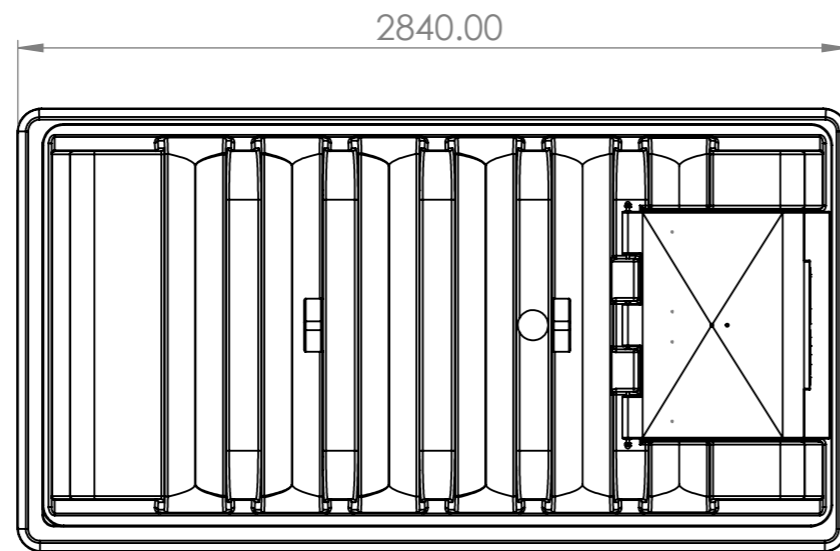
E

D

C

B

A



DRAWING SCALE 1:25

IF IN DOUBT-ASK! REVISION: A

	NAME	SIGNATURE	DATE
DRAWN	MITCHELL S		06/02/24
CHK'D			
APPV'D			

TITLE:
2500 BUNDED TANK

tuffa[®] Tuffa UK Ltd
Dovefields Industrial Estate
Derby Road, Uttoxeter
Staffs ST14 8SW, UK
DESIGN FUNCTION PERFORMANCE



MATERIAL:
LLDPE
A3
WEIGHT: 30MIN- 290KG
60 MIN -337KG

UNLESS OTHERWISE SPECIFIED:
DIMENSIONS ARE IN MILLIMETERS
SURFACE FINISH:
TOLERANCES:
LINEAR: ± 0.1mm
ANGULAR: ± 0.1 deg

PROCESS:



CONFIDENTIAL / CLASSIFIED
THIS DRAWING AND INFORMATION WITHIN ARE PROPRIETARY TO TUFFA TANKS LTD AND ISSUED IN STRICT CONFIDENCE ON THE CONDITION THAT THIS DRAWING AND ANY INFORMATION THEREIN SHALL NOT BE COPIED, USED FOR MANUFACTURE OR SALE, ©TUFFA UK LTD ALL RIGHTS RESERVED

DWG NO. 0001
SHEET 1 OF 1
DO NOT SCALE DRAWING

8 7 6 5 4 3 2 1