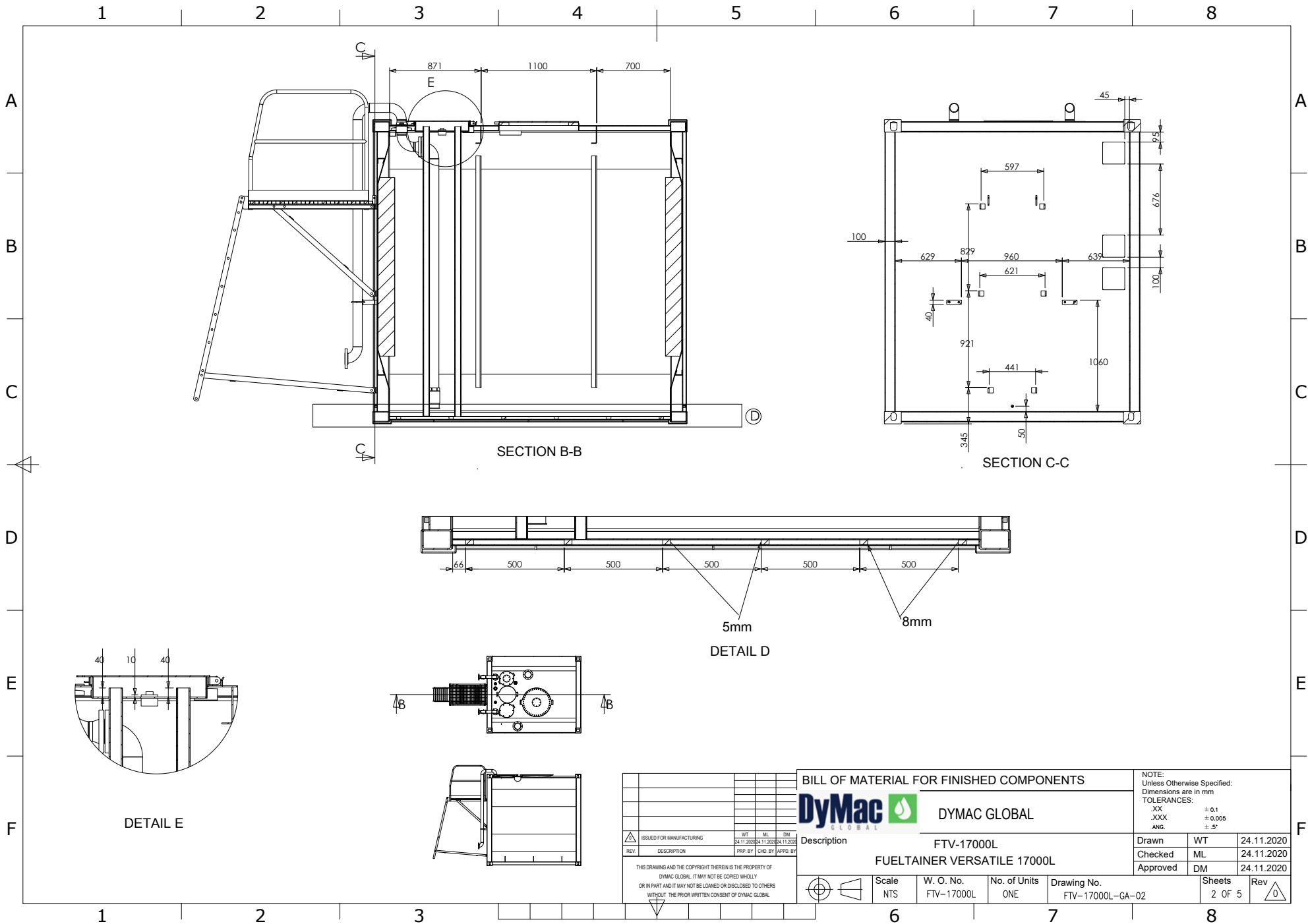


TANK DATA	
TANK CONTENTS:	DIESEL
DESIGNED TO:	AS1940,UL142
BUILT TO:	AS1940
CORROSION ALLOW.	0mm
OUTER WALL THICKNESS/INNER WALL THICKNESS	5mm/5mm
GROSS VOLUME:	17,790L
PNEMATIC TEST :	21-35KPa
SAFE FILL LEVEL	16,900L
N.D.T.	Refer fabrication & assembly plan
TOTAL MASS:	4261kg (EMPTY)

BILL OF MATERIAL FOR FINISHED COMPONENTS				Description			NOTE: Unless Otherwise Specified: Dimensions are in mm TOLERANCES: .XX ± 0.1 .XXX ± 0.005 ANG. ± .5°																																										
<table border="1"> <tr> <td>ISSUED FOR MANUFACTURING</td> <td>WT</td> <td>ML</td> <td>DM</td> <td colspan="3">Description</td> <td>Drawn</td> <td>WT</td> <td>24.11.2020</td> </tr> <tr> <td>REV</td> <td>DESCRIPTION</td> <td>PREP. BY</td> <td>CHD. BY</td> <td>APPLD. BY</td> <td colspan="3">FTV-17000L</td> <td>Checked</td> <td>ML</td> <td>24.11.2020</td> </tr> <tr> <td colspan="4"> THIS DRAWING AND THE COPYRIGHT THEREIN IS THE PROPERTY OF DYMAC GLOBAL. IT MAY NOT BE COPIED WHOLLY OR IN PART AND IT MAY NOT BE LOANED OR DISCLOSED TO OTHERS WITHOUT THE PRIOR WRITTEN CONSENT OF DYMAC GLOBAL. </td> <td colspan="3"> FUEL TAINER VERSATILE 17000L </td> <td>Approved</td> <td>DM</td> <td>24.11.2020</td> </tr> </table>				ISSUED FOR MANUFACTURING	WT	ML	DM	Description			Drawn	WT	24.11.2020	REV	DESCRIPTION	PREP. BY	CHD. BY	APPLD. BY	FTV-17000L			Checked	ML	24.11.2020	THIS DRAWING AND THE COPYRIGHT THEREIN IS THE PROPERTY OF DYMAC GLOBAL. IT MAY NOT BE COPIED WHOLLY OR IN PART AND IT MAY NOT BE LOANED OR DISCLOSED TO OTHERS WITHOUT THE PRIOR WRITTEN CONSENT OF DYMAC GLOBAL.				FUEL TAINER VERSATILE 17000L			Approved	DM	24.11.2020	<table border="1"> <tr> <td>Scale</td> <td>W. O. No.</td> <td>No. of Units</td> <td>Drawing No.</td> <td>Sheets</td> <td>Rev</td> </tr> <tr> <td>NTS</td> <td>FTV-17000L</td> <td>ONE</td> <td>FTV-17000L-CA-01</td> <td>1 OF 5</td> <td>0</td> </tr> </table>			Scale	W. O. No.	No. of Units	Drawing No.	Sheets	Rev	NTS	FTV-17000L	ONE	FTV-17000L-CA-01	1 OF 5	0
ISSUED FOR MANUFACTURING	WT	ML	DM	Description			Drawn	WT	24.11.2020																																								
REV	DESCRIPTION	PREP. BY	CHD. BY	APPLD. BY	FTV-17000L			Checked	ML	24.11.2020																																							
THIS DRAWING AND THE COPYRIGHT THEREIN IS THE PROPERTY OF DYMAC GLOBAL. IT MAY NOT BE COPIED WHOLLY OR IN PART AND IT MAY NOT BE LOANED OR DISCLOSED TO OTHERS WITHOUT THE PRIOR WRITTEN CONSENT OF DYMAC GLOBAL.				FUEL TAINER VERSATILE 17000L			Approved	DM	24.11.2020																																								
Scale	W. O. No.	No. of Units	Drawing No.	Sheets	Rev																																												
NTS	FTV-17000L	ONE	FTV-17000L-CA-01	1 OF 5	0																																												





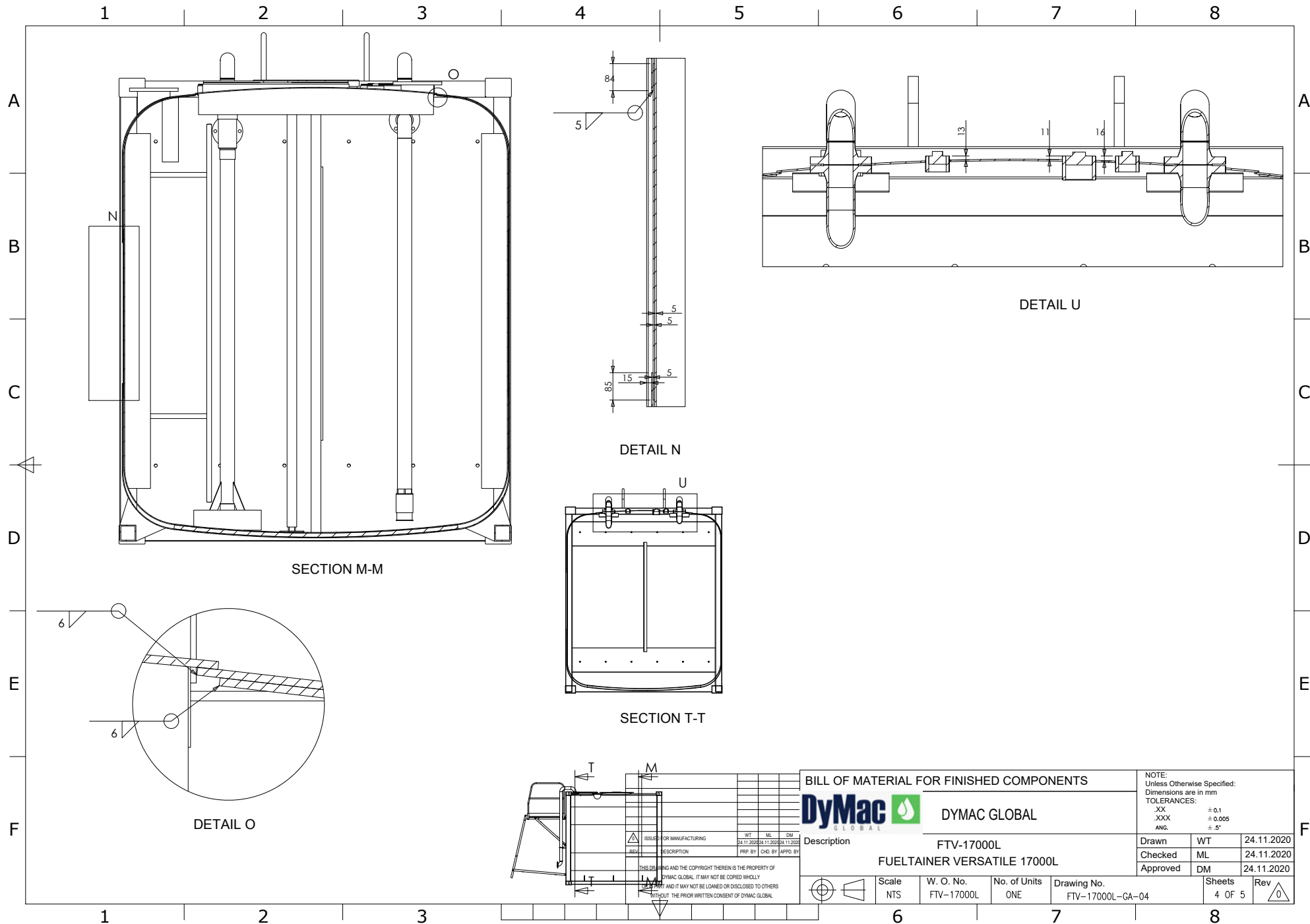
BILL OF MATERIAL FOR FINISHED COMPONENTS			
		DYMAC GLOBAL	
Description		FTV-17000L	
FUEL TAINER VERSATILE 17000L		Drawn	WT
		Checked	ML
		Approved	DM
Scale		W. O. No.	No. of Units
NTS		FTV-17000L	ONE
Drawing No.		FTV-17000L-GA-02	
SHEETS		Rev	
2 OF 5		0	

NOTE: Unless Otherwise Specified: Dimensions are in mm		
TOLERANCES:		
.XX	± 0.1	
.XXX	± 0.005	
ANG.	± .5°	
Drawn	WT	24.11.2020
Checked	ML	24.11.2020
Approved	DM	24.11.2020

REV	DESCRIPTION	WT	ML	DM
24.11.2020	24.11.2020	24.11.2020	24.11.2020	24.11.2020
PREP. BY	CHG. BY	APPR. BY		

ISSUED FOR MANUFACTURING

THIS DRAWING AND THE COPYRIGHT THEREIN IS THE PROPERTY OF DYMAC GLOBAL. IT MAY NOT BE COPIED WHOLLY OR IN PART AND IT MAY NOT BE LOANED OR DISCLOSED TO OTHERS WITHOUT THE PRIOR WRITTEN CONSENT OF DYMAC GLOBAL.



SECTION M-M

DETAIL N

DETAIL U

SECTION T-T

DETAIL O

BILL OF MATERIAL FOR FINISHED COMPONENTS



NOTE:
Unless Otherwise Specified:
Dimensions are in mm
TOLERANCES:
.XX ± 0.1
.XXX ± 0.005
ANG. ± .5°

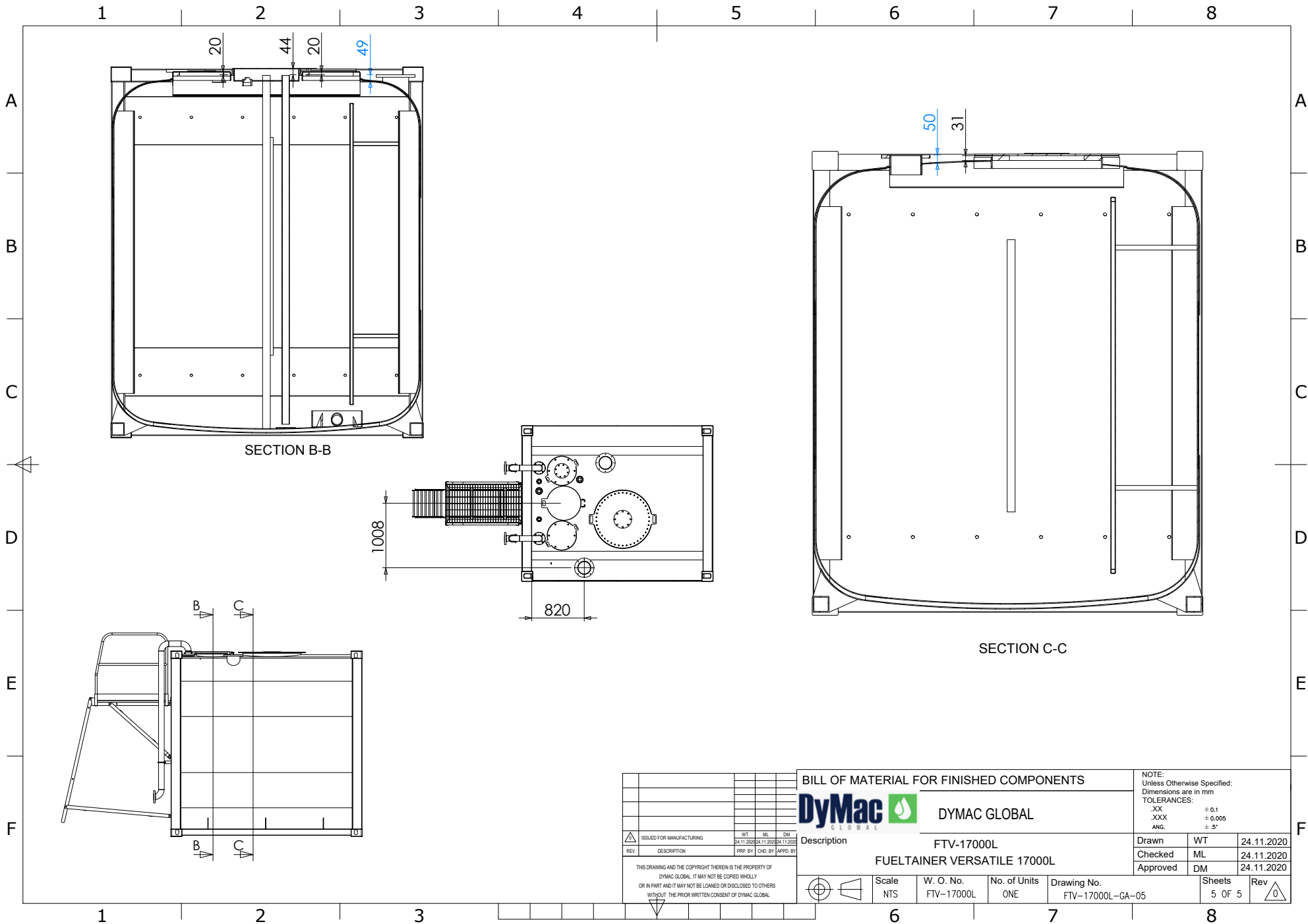
Description	Scale	W. O. No.	No. of Units	Drawing No.
FTV-17000L FUELTAINER VERSATILE 17000L	NTS	FTV-17000L	ONE	FTV-17000L-CA-04

Drawn	WT	24.11.2020
Checked	ML	24.11.2020
Approved	DM	24.11.2020

Sheets	Rev
4 OF 5	0

THIS DRAWING AND THE COPYRIGHT THEREIN IS THE PROPERTY OF
DYNAMIC GLOBAL. IT MAY NOT BE COPIED WHOLLY
OR IN PART AND IT MAY NOT BE LOANED OR DISCLOSED TO OTHERS
WITHOUT THE PRIOR WRITTEN CONSENT OF DYNAMIC GLOBAL.

ISSUED FOR MANUFACTURING	WT	ML	DM
24.11.2020	24.11.2020	24.11.2020	24.11.2020
PREP. BY	CHKD. BY	APPRD. BY	



SECTION B-B

SECTION C-C

1008

820

BILL OF MATERIAL FOR FINISHED COMPONENTS



DYMAC GLOBAL

NOTE:
Unless Otherwise Specified:
Dimensions are in mm
TOLERANCES:
.XX ± 0.1
.XXX ± 0.005
ANG. ± .5°

REV	DESCRIPTION	WT	ML	DM
24.11.2020	24.11.2020	24.11.2020	24.11.2020	24.11.2020
PREP. BY	CHD. BY	APPD. BY		

Description	FTV-17000L		
	FUEL TAINER VERSATILE 17000L		
Scale	W. O. No.	No. of Units	Drawing No.
NTS	FTV-17000L	ONE	FTV-17000L-CA-05

Drawn	WT	24.11.2020
Checked	ML	24.11.2020
Approved	DM	24.11.2020

Sheets	Rev
5 OF 5	0

THIS DRAWING AND THE COPYRIGHT THEREIN IS THE PROPERTY OF
DYMAC GLOBAL. IT MAY NOT BE COPIED WHOLLY
OR IN PART AND IT MAY NOT BE LOANED OR DISCLOSED TO OTHERS
WITHOUT THE PRIOR WRITTEN CONSENT OF DYMAC GLOBAL.

