



AUTHOR: JERRY SCANNELL
APPROVED BY: JS / SW
REV NO: R1.0
REV DATE: 30/08/2018

Tank Specification

Length: 1083 mm
Width: 670 mm
Height: 1174 mm

Product Mass: 35 kg

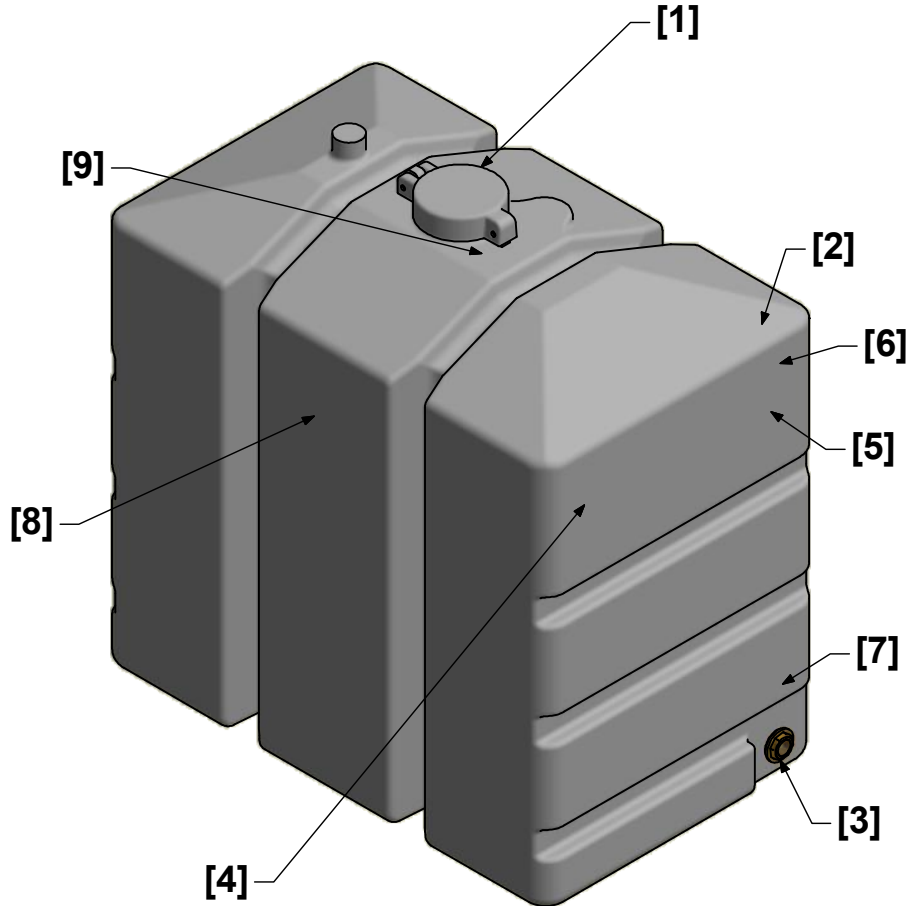
Capacity Brimful: 643 litres
Capacity Nominal: 611 litres

Material Tank: MDPE

Approval Number: 0654071501 (OFTEC)

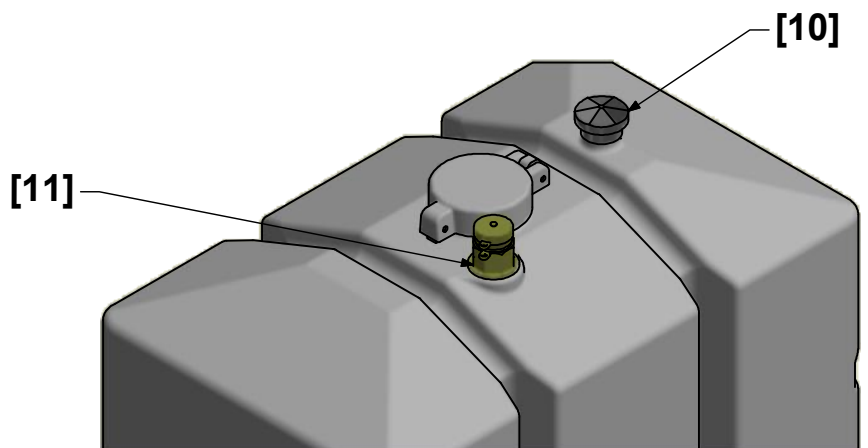
Equipment

1. 5" (~125mm) Inspection Lid - Lockable
2. Tank Serial Number Stamp
3. 1" (~25mm) Bottom Outlet
4. CE Label
5. Installation Instructions
6. Handle With Care Label
7. Left Hand Thread Label
8. Product Label
9. Ultrasonic Contents Gauge Location



STGR00650R-OFT [OFTEC UK]

10. 2" BSP (~50mm) Vent
11. 2" BSP (~50mm) Offset Fill Connection - Lockable



Installation & Siting Guidelines

Carbery Tanks must only be installed and commissioned by a suitably competent person in accordance with supplied instructions and all prevailing statutory requirements.

Please Consult the Installation, Operation and Maintenance Manual for further Information.

Certification

All Carbery Plastics LTD tanks are certified to EN13341.