



AUTHOR: JERRY SCANNELL
APPROVED BY: JS / SW
REV NO: R1.0
REV DATE: 04/09/2018

Tank Specification

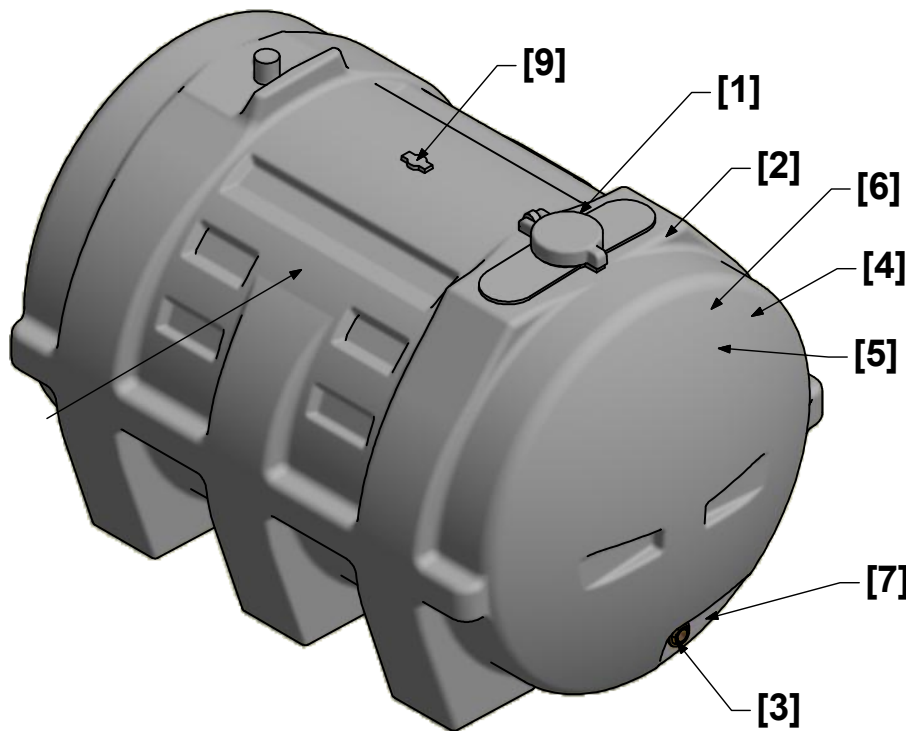
Length: 1810 mm
Width: 1240 mm
Height: 1220 mm

Product Mass: 66 kg

Capacity Brimful: 1554 litres
Capacity Nominal: 1476 litres

Material Tank: MDPE

Approval Number: 0654060502R (OFTEC)

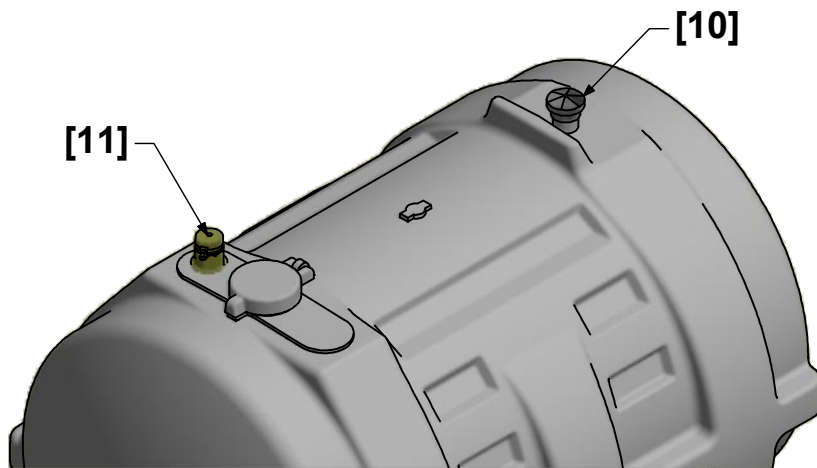


Equipment

- 1. 5" (~125mm) Inspection Lid - Lockable
- 2. Tank Serial Number Stamp
- 3. 1" (~25mm) Bottom Outlet
- 4. CE Label
- 5. Installation Instructions
- 6. Handle With Care Label
- 7. Left Hand Thread Label
- 8. Product Label
- 9. Ultrasonic Contents Gauge Location

STGR00650R-OFT [OFTEC UK]

- 10. 2" BSP (~50mm) Vent
- 11. 2" BSP (~50mm) Offset Fill Connection - Lockable



Installation & Siting Guidelines

Carbery Tanks must only be installed and commissioned by a suitably competent person in accordance with supplied instructions and all prevailing statutory requirements.

Please Consult the Installation, Operation and Maintenance Manual for further Information.

Certification

All Carbery Plastics LTD tanks are certified to EN13341.