



Tank Specification

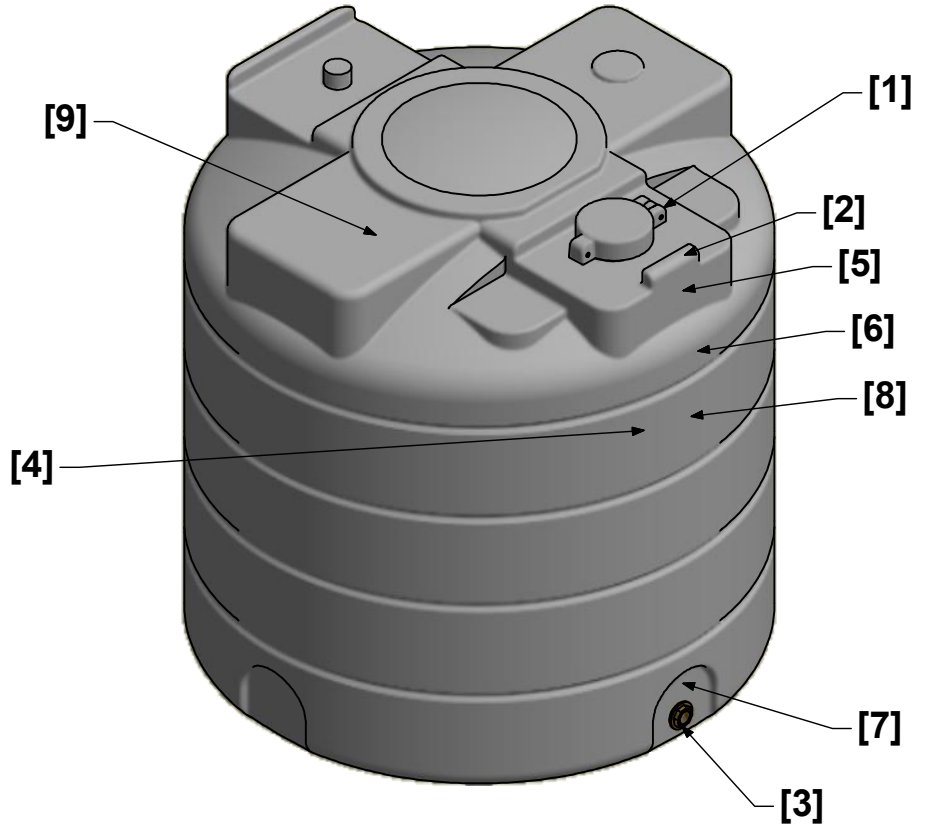
Height: 1245 mm
Diameter: 1250 mm
Base : 1850 mm

Product Mass: 40 kg

Capacity Brimful: 1378 litres
Capacity Nominal: 1310 litres

Material Tank: MDPE

Approval Number: 0654070406R (OFTEC)

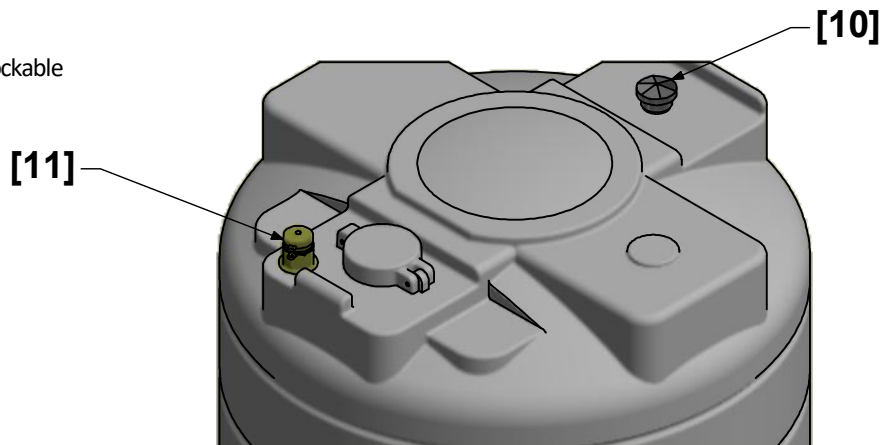


Equipment

1. 5" (~125mm) Inspection Lid - Lockable
2. Tank Serial Number Stamp
3. 1" (~25mm) Bottom Outlet
4. CE Label
5. Installation Instructions
6. Handle With Care Label
7. Left Hand Thread Label
8. Product Label
9. Ultrasonic Contents Gauge Location

STGR00650R-OFT [OFTEC UK]

10. 2" BSP (~50mm) Vent
11. 2" BSP (~50mm) Offset Fill Connection - Lockable



Installation & Siting Guidelines

Carbery Tanks must only be installed and commissioned by a suitably competent person in accordance with supplied instructions and all prevailing statutory requirements.

Please Consult the Installation, Operation and Maintenance Manual for further Information.

Certification

All Carbery Plastics LTD tanks are certified to EN13341.